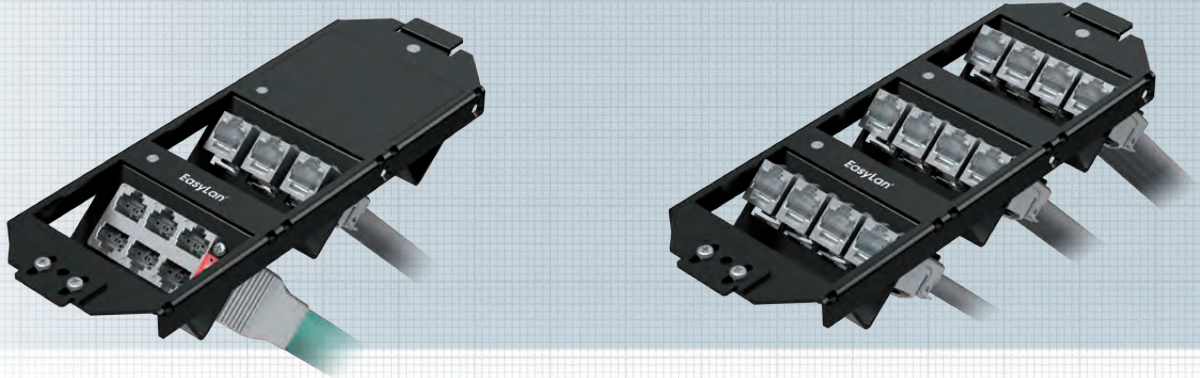


preLink® / fixLink® Support Plates for Ackermann Underfloor Systems GB2 and GB3



The support plate replaces the device frame, resulting in maximum space for cable feed. Diagonal infeed and outfeed enable secure cable guiding even in very low false floors.

Allows combination of different installation modules. Inserts are fixed to the support plate with 2 screws. To prevent entry by dust, unneeded space on the supporting plate can be covered with dummy plates.

Properties:

Dimension	Per specification of Ackermann underfloor systems
Material	steel plate , Hot-dipped galvanized
Color	black, RAL 9005
Material thickness	1.5 mm
Equipped	- with a max. of 12 socket modules preLink®/fixLink® - with a max. of 3 H.D.S. Cu modules
Version	GB2 and GB3
* For grounding purposes the inserts for modules are galvanized and not powder-coated. The black color in the figure is used solely for illustrative purposes!	
Packaging unit	1 piece

Description	Ordering Code
Ackermann support plate GB2	ABG00011
Ackermann support plate GB3	ABG00012
Dummy plate black RAL 9005	ABG00013
Carrier plate 4x Keystone Module Nickel-plated unpolished	ABG00014
Carrier plate 3x Keystone Module Nickel-plated unpolished	ABG00016
Carrier plate 1x H.D.S. Nickel-plated unpolished	ABG00015