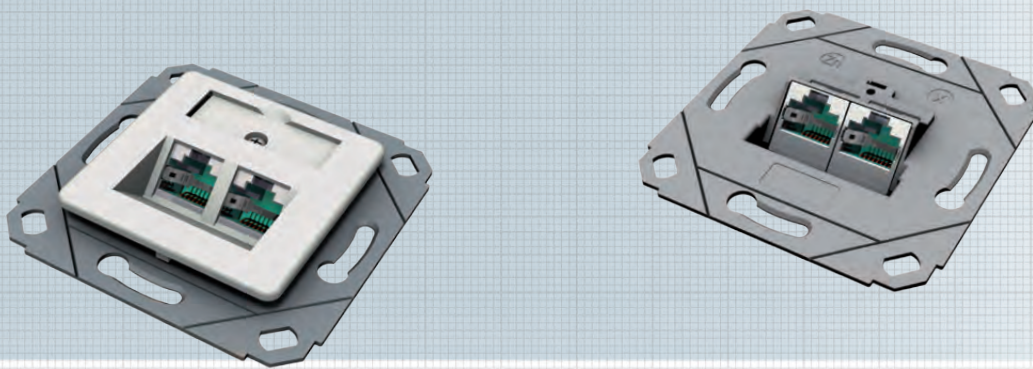


Designable Data Outlet SL with Cover Plate

Snap-in angle, single, double

IN STOCK



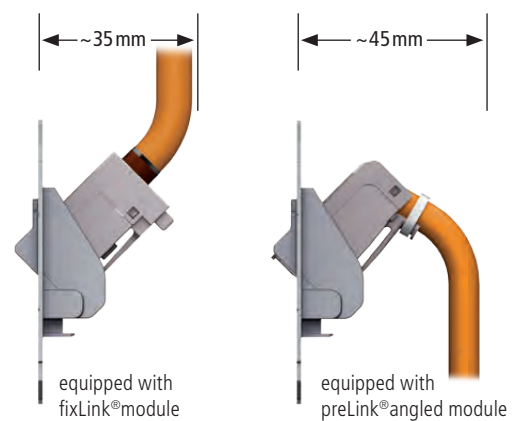
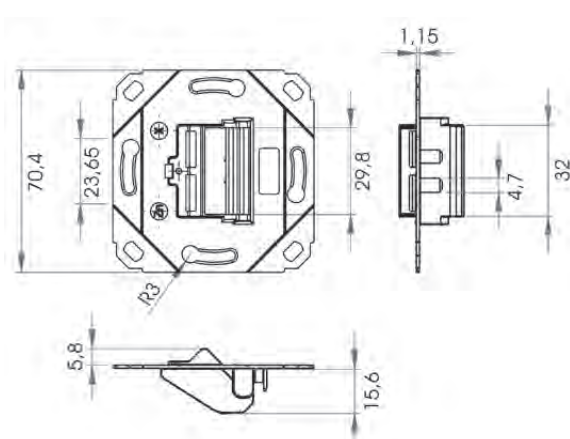
Keystone modules are not included!

The designable module holder is made of a die-cast zinc frame. It is suitable for installation in a cable channel (IC), for flush mounting (FM) as well as for surface mounting (SM) using a separate frame. Breaking of two mounting tabs also makes floor tank assembly (FT) possible. The multi-design data outlet can be combined with nearly all switch ranges on the market.

You can find a compatibility list at www.easylan.de.

Properties:

Material	module holder: Die-cast zinc
Color cover plate	white, similar to RAL 9010
Components	central plate 50 x 50 mm, • preLink® SL • fixLink® SL
Range of application	Installation in cable duct, flush or surface mounting, can be combined with all VAE central plates from common switch manufacturers
Packaging unit:	5 pieces per box



Description	Ordering Code
Multi-design module holder (without cover plate), single, double	CKVD1DS
Multi-design module holder (with cover plate), single	CKVD1D2
Multi-design module holder (with cover plate), double	CKVD1D1

fixLink®-System
Cu