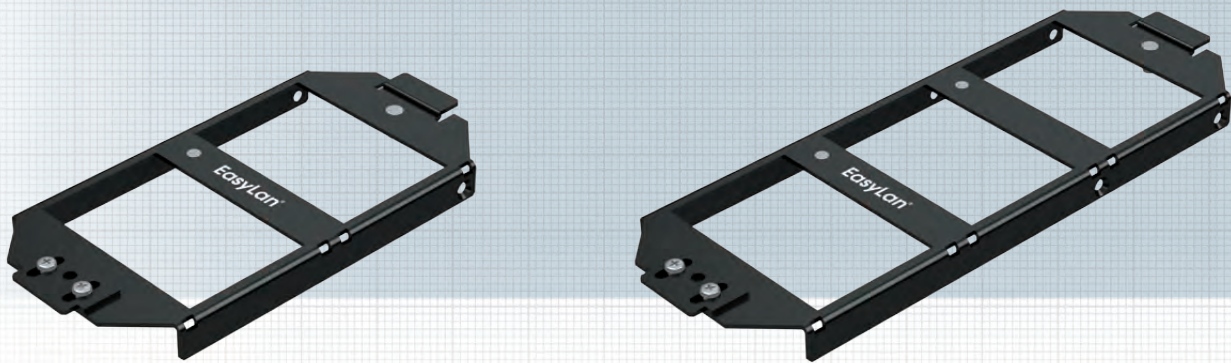


# OBO/Ackermann Floor Tank Systems GB2, GB3

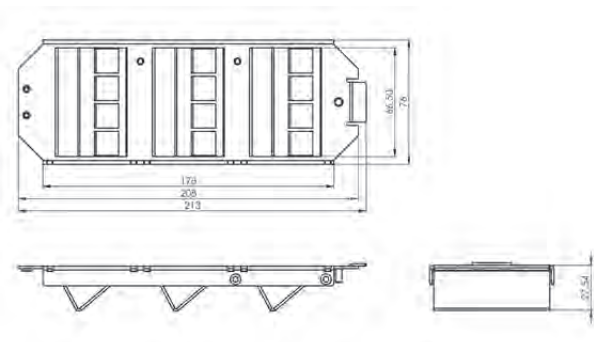


The support plate replaces the device carriers and thus offers the greatest possible space for cable feed. The slanted ingress and exit enable secure cable routing even with very low intermediate floors.

Allows a combination of installation plates for 4x preLink®/fixLink® modules or 1x H.D.S.. The installation plates are fastened to the support plate with two screws. Unused fields of the support plate can be covered with dummy plates.

### Properties:

Dimension	Per specification of Ackermann under-floor systems
Material	steel plate, hot-dipped galvanized
Color	black, RAL 9005
Material thickness	1.5 mm
Equipped	- with a max. of 12 socket modules preLink®/fixLink® - with a max. of 3 H.D.S. Cu modules
Version	GB2 and GB3
Packaging unit	1 piece of each



Description	Ordering Code
Ackermann support plate GB2	ABG00011
Ackermann support plate GB3	ABG00012