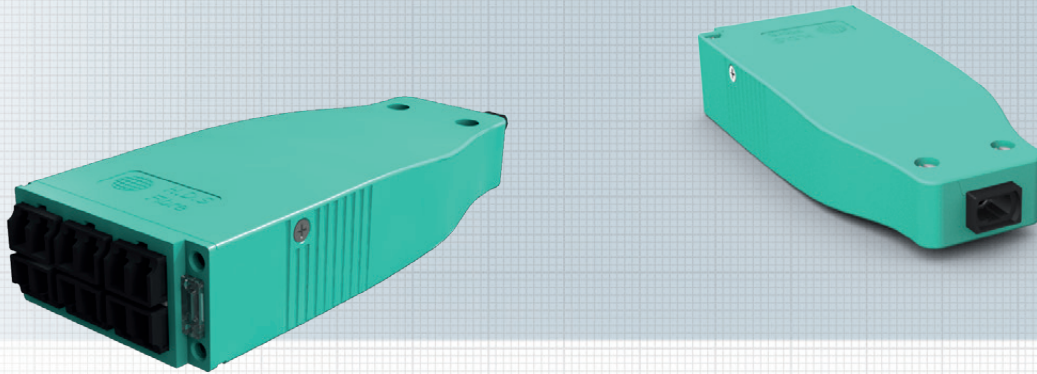


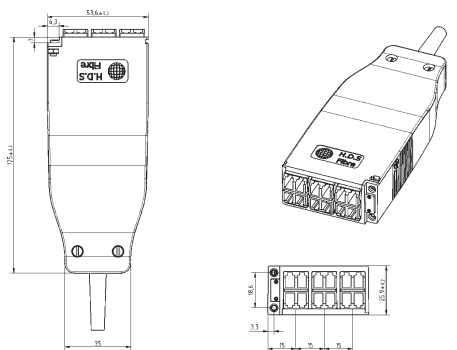
H.D.S. Fiber optic - MPO/MTP® Distribution head



The H.D.S. fiber optic - MPO/MTP® trunk system is designed for cabinet to cabinet connections and for the connection of consolidation points.

It consists of preterminated H.D.S. LC duplex distribution heads, which are connected through MPO/MTP® connections with 12 fiber MPO/MTP® cables. The system is designed for 10 Gbit Ethernet transmissions (as per IEEE 802.3).

Depending on the existing infrastructure, the user can choose between singlemode (OS2) and multimode fibers (OM3, OM4) as MPO/MTP® version. The maximum packing density is 168 LC duplex ports on 3U or 48 LC duplex ports on 1U.



Standards:

IEEE 802.3; IEC 888; 10GBase-SR/SW; DIS14165-111

Specifications:

Module

Material plastic; color OM4 heather violet, OM3 aqua; OM2/APC green; OM2/PC blue

Sockets 6 x LC duplex modules + 1 x MPO

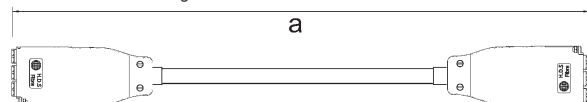
Optical specifications:

Maximum link length	maximum permissible link length depending on the standard
OM4	Loss typical <0,25 dB Backflow loss >35 dB
OM3	Loss typical <0,25 dB Backflow loss >35 dB
OS2/PC	Loss typical <0,35 dB Backflow loss >45 dB
OS2/APC	Loss typical <0,25 dB Backflow loss >65 dB

Environment:

Connection class	IP20
Temperature	-20°C – +60°C

The trunk length is measured from front face to front face



Designation

H.D.S. MPO/MTP® Distribution head 12xLC OS2
H.D.S. MPO/MTP® Distribution head 12xLC/APC OS2
H.D.S. MPO/MTP® Distribution head 12xLC OM3
H.D.S. MPO/MTP® Distribution head 12xLC OM4

Order number

on request
on request
on request
on request