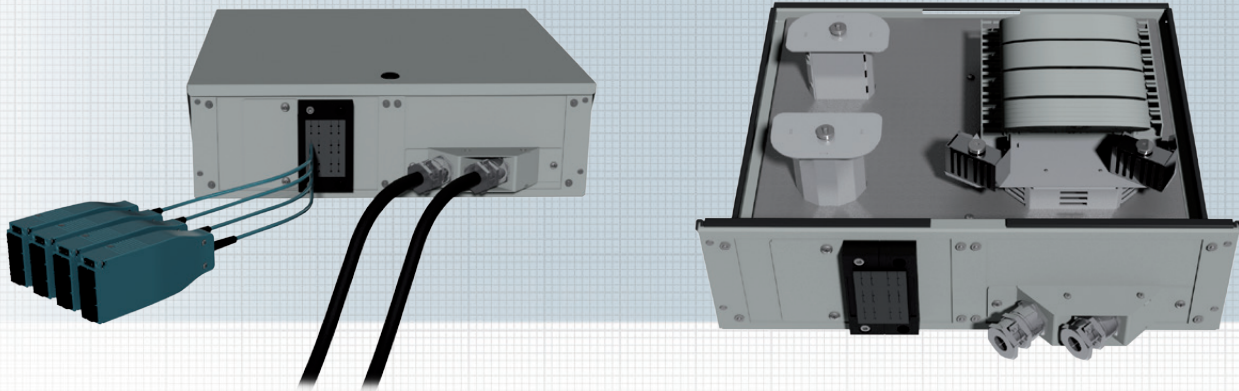


H.D.S. splice distribution box 19" 3U extendable for up to 288 fibers



The H.D.S. splice distribution box 19" 3U is extendable and designed for installation in IT cabinets. Depending on your requirements, the splice distributors will be pre-assembled with splice cassettes. 12 splices are provided for each splice cassette. The cassettes are installed to be browsed. The boxes can be locked with two locks each.

The H.D.S. splice distributor offers the largest possible flexibility in the data cabinet. The Fiber optic cable ends at the usage point without including the rigid Fiber optic cable in the cabinet cabling. As of now, there is an Fiber optic transfer point in the computer center or in the distribution cabinet. The Fiber optic cables that are in part very rigid will be collected at one point and will be connected in the H.D.S. splicing box with the required Fiber optic patch points through flexible but extremely stable H.D.S. Fiber optic cables. In case of upgrade installations, the Fiber optic links already in operation will almost not be influenced. Based on the proven splice cassette, which can be browsed, it is guaranteed that the already existing splice connections continue to exist reliably.

Specifications:

Material	Steel sheet zinc coated powder coated
Color	gray, RAL 7035
Dimensions	H.D.S. Splice box for 288 fibers 19" 3HE Depth: 370 mm
Cover	powder coated
Locking	2 locks
Cable inlet:	
FO route cable	M-screw connection straight or angled
FO module feed	Feed comb with cable binder strain-relieved
Pull out	Ball bearing pull out
Design	Variant for up to 288 fibers - 24 x splice cassettes, - 1 x cable feed comb - 1 x M20 screw connection straight - 2 x lock

Designation

H.D.S. splice distribution box 19" 3U extendable with 24 splice cassettes (for up to 244 fibers)

H.D.S. splice cassette set 6ers

Order number

LVH3ADSV24

LVZSKC06