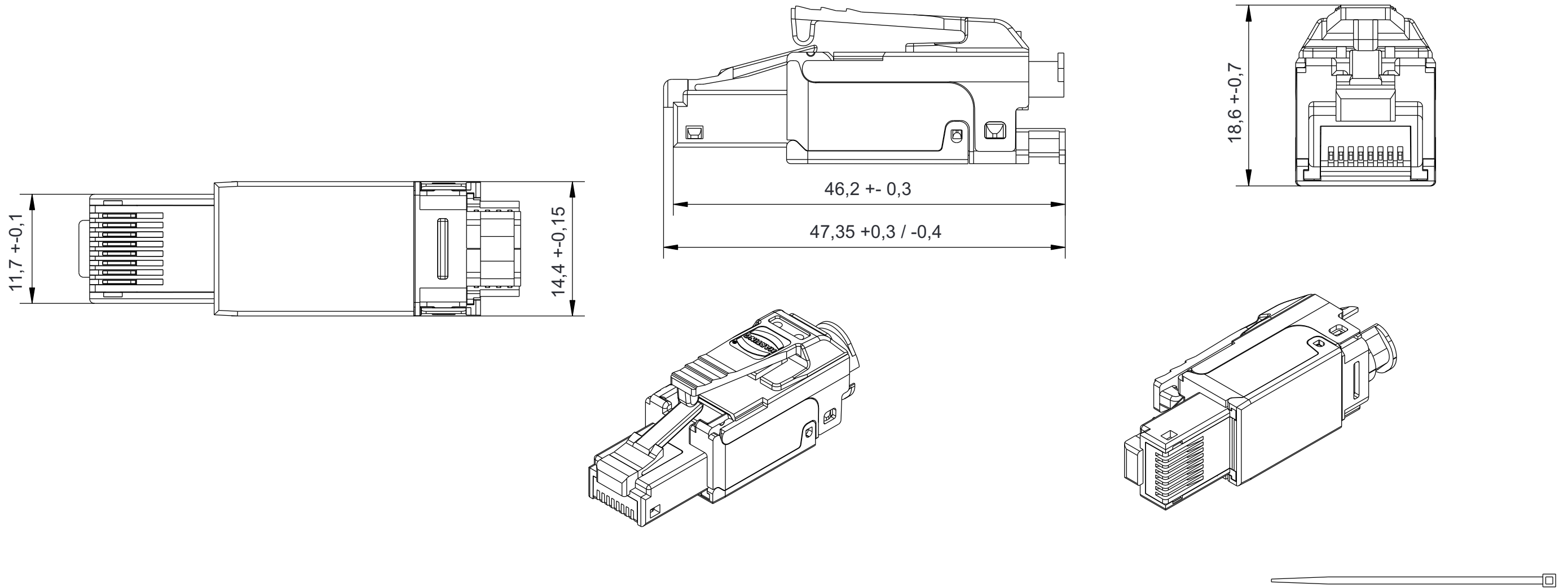


Technical Datasheet

EasyLan® / preLink® Plug Cat.6_A



Article No.:

- w/o cable termination
- incl. cable termination AWG24-22
- incl. cable termination AWG27-26

CKSAO100
CKPK1001
CKPK6001

	drawn	18.06.2018	LP
	appr.	18.06.2018	MJ
Titel:			
EasyLan® preLink® plug Cat.6 _A			
Drawing Number:			
ZN-CU181398			
Rev. Index	Revision code	Date	Name
b a	Änderung Spr. Neuerstellung	15.12.2023 18.06.2018	TG LP



Dimensions: mm
Original: DIN A4
Sheet 1 of 1