

Technical Datasheet

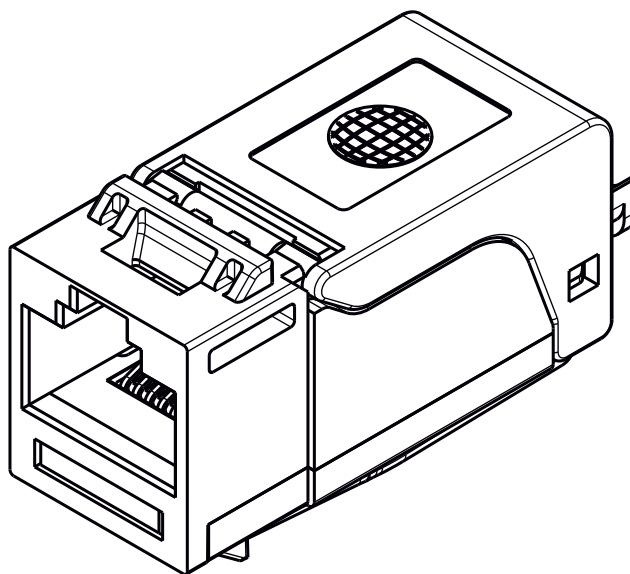
preLink[®] UTP Cat. 6 EIA/TIA

AWG 24 - AWG 22 / AWG 27 - AWG 26

Article No. :

AWG24-22 - CKVPUS010

AWG27-26 - CKVPUS020




e d c b a	Änderung	17.02.2023	MW LE LP LP LP	drawn	28.07.2017	LP	 EasyLan[®] ...for a better connectivity	
	Änderung	13.07.2022		appr.	28.07.2017	GF		
	Änderung	12.03.2020		Titel: preLink[®] UTP Cat. 6 EIA/TIA AWG 24 - AWG 22 / AWG 27 - AWG 26				Dimensions: mm
	Änderung	19.08.2019		Drawing number: ZN-CU171103				Original: DIN A4
Neuerstellung	28.07.2017	Date	Name				Sheet 1 of 3	

Technical Data

Connector Standard	IEC 60603-7-51
Mechanische Eigenschaften	
Life (mating cycles)	≥ 750
Insertion force	≤ 30N
Conductor diameter	AWG24-22 / AWG27-26
Insulation diameter	5 - 9 mm
Reusable (Module)	≤ 5 Cycles with the same diameter
EC Directive 2002/95/EC (RoHS)	RoHS-compliant
UL listed	E485104
Materials	
Housing	PC black (RAL 9005)
PCB	FR-4
PCB finish	HAL lead-free
Contacts	Spring steel
Contact finish	0,76 µm / 30µin Au
Contact support plate	PC yellow (RAL 1021)
Dust protection Cover	PC transparent
IDC	CuNi2Si
IDC finish	min. 3-6 µm (120-240µin) Sn
Environmental Requirements	
Particulate ingress	IP2X
Water ingress	IPX0
Ambient temperature	-40°C bis / to +70°C
Packaging material	bio-degradable
Electrical Characteristics	
Contact resistance	≤ 20 mΩ
Insulation resistance	≥ 500 MΩ
Voltage proof - contact-contact	≥ 1000 V (DC)
Voltage proof - contact-shield	≥ 1500 V (DC)
Current carrying capacity at 50°C	1,25 A
PoE+ according to IEEE 802.3at	adequate
Transfer Impedance at 1 MHz	≤ 100 mΩ
Transfer Impedance at 10 MHz	≤ 200 mΩ
Transfer Impedance at 80 MHz	≤ 1600 mΩ

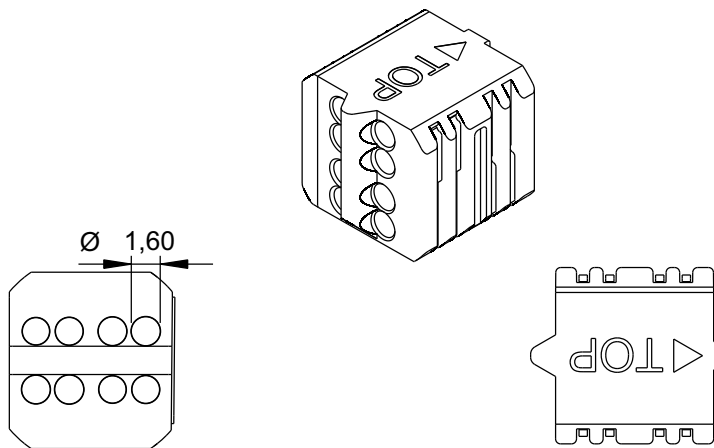
All rights reserved ZVK GmbH D-94244 Teisnach Technologiecampus 2 Germany Phone: +49 9923 804379-0 Fax: +49 9923 804379-50 www.zvk-gmbh.de

e d c b a	Änderung	17.02.2023	MW LE LP LP LP	drawn	28.07.2017	LP	 EasyLan [®] ...for a better connectivity
	Änderung	13.07.2022		appr.	28.07.2017	GF	
	Änderung	12.03.2020		Titel: preLink[®] UTP Cat. 6 EIA/TIA AWG 24 - AWG 22 / AWG 27 - AWG 26			
	Änderung	19.08.2019		Drawing number: ZN-CU171103			
Neuerstellung	28.07.2017						Dimensions: mm Original: DIN A4 Sheet 2 of 3
Index	Revision code	Date	Name				

Technical Data

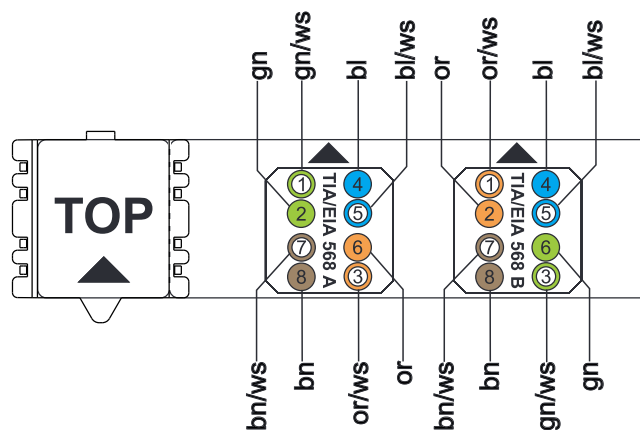
Transmission Performance	
10 Gigabit Ethernet acc. to IEEE 802.3an	adequate
Categorie 6	EIA/TIA 568B.2-10
Matching Data Outlets	
preLink®/fixLink® Flush-mounted housing set, 80x80mm, angled, Single	Order code: CKVDU191
preLink®/fixLink® Flush-mounted housing set, 80x80mm, angled, Double	Order code: CKVDU192
preLink®/fixLink® Flush-mounted housing set, 80x80mm, angled, Triple	Order code: CKVDU193
preLink®/fixLink® Data Outlet with Cover plate and Frame, 80x80mm, horizontal, Double	Order code: CKVDU292

Drawing



Scale 2:1

Configuration



e d c b a	Änderung Änderung Änderung Änderung Neuerstellung	17.02.2023 13.07.2022 12.03.2020 19.08.2019 28.07.2017	MW LE LP LP LP	drawn	28.07.2017	LP
				appr.	28.07.2017	GF
				Titel: preLink® UTP Cat. 6 EIA/TIA AWG 24 - AWG 22 / AWG 27 - AWG 26		
				Drawing number: ZN-CU171103		



Dimensions: mm

Original: DIN A4

Sheet 3 of 3