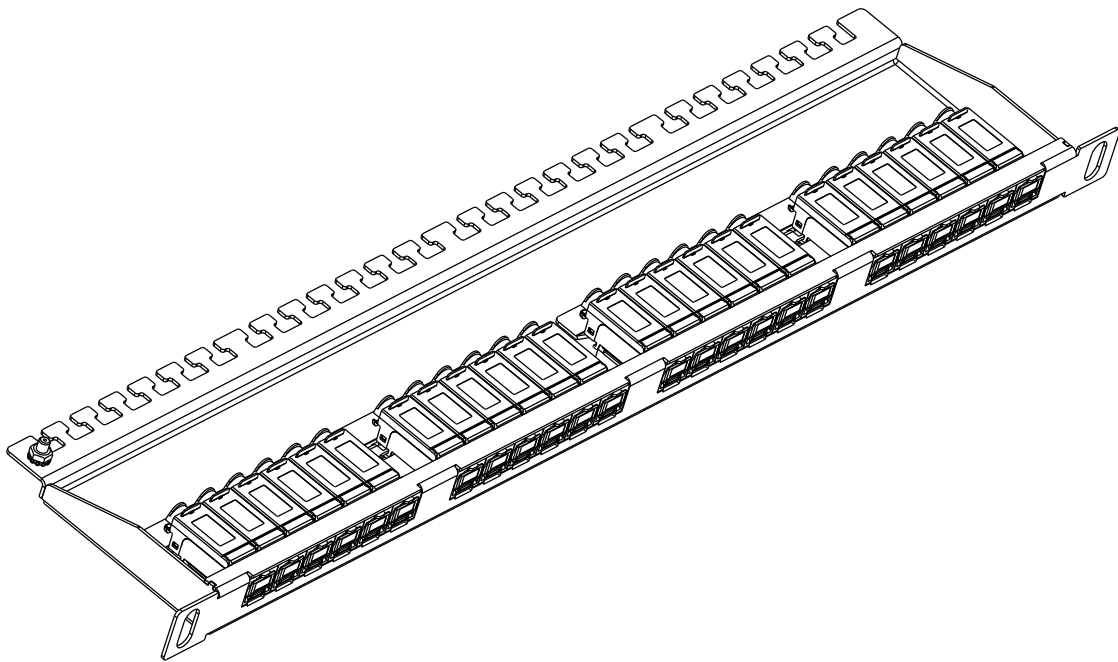



Technical Datasheet

preLink® DC-Panel 19" 0,5U Kat. 6A ISO/IEC 24 Ports

Description	Article No.
24x Rj45 Kat.6A ISO/IEC, Set incl. cable termination AWG 24 - AWG 22	CKRARP511E
24x Rj45 Kat.6A ISO/IEC, Set incl. cable termination AWG 27 - AWG 26	CKRASP561E
24x Rj45 Kat.6A ISO/IEC, w/o cable termination	CKRARP501E




All rights reserved ZVK GmbH D-94244 Teisnach Technologiecampus 2 Germany Phone: +49 9923 804379-0 Fax: +49 9923 804379-50 www.zvk-gmbh.de

				drawn	05.05.2020	LP	 EasyLan® <i>...for a better connectivity</i>
				appr.	05.05.2020	MJ	
b a	Änderung Spr. Neuerstellung	12.12.2023 05.05.2020	TG LP	Titel:			
				EasyLan® preLink® DC-Panel 19" 0,5U Kat. 6A ISO/IEC 24 Ports			
Rev. Index	Revision code	Date	Name	Drawing Number:			Dimensions: mm
				ZN-BL200213			Original: DIN A4
							Sheet 1 of 3

Technical Data

Connector standard	IEC 60603-7-51
Mechanical Characteristics	
Life (mating cycles)	≥ 750
Insertion force	≤ 30N
Conductor diameter	AWG 27 - 22
Insulation diameter	5 - 9,5 mm
Reusable (Module)	≥ 25 cycles
Reusable (Connection block)	0 cycles
EC Directive 2002/95/EC (RoHS)	RoHS-compliant
Materials	
Housing	zinc diecast
Strain-relief sliver	zinc diecast
Surface	nickel plating
Shield spring	stainless steel
PCB	FR-4
PCB finish	chem. NiAu
Contacts	spring steel
Contact finish (RJ45)	1,27 µm / 50µm Au
Contact finish (connection block)	0,762 µm / 30µm Au
Insulation housing	PA light green (RAL 6027)
Connection block	PC
IDC	CuSn6
IDC finish	contact area 0,762 µm / 30µm Au
Environmental Requirements	
Particulate ingress	IP2X
Water ingress	IPX0
Ambient temperature	-40°C to +70°C
Electrical Characteristics	
Contact resistance	≤ 20 mΩ
Insulation resistance	≥ 500 MΩ
Voltage proof - contact-contact	≥ 1000 V (DC)
Voltage proof - contact-shield	≥ 1500 V (DC)
Current carrying capacity at 50°C	1,25 A
PoE+ according to IEEE 802.3at	adequate
Transfer Impedance at 1 MHz	≤ 100 mΩ
Transfer Impedance at 10 MHz	≤ 200 mΩ
Transfer Impedance at 80 MHz	≤ 1600 mΩ

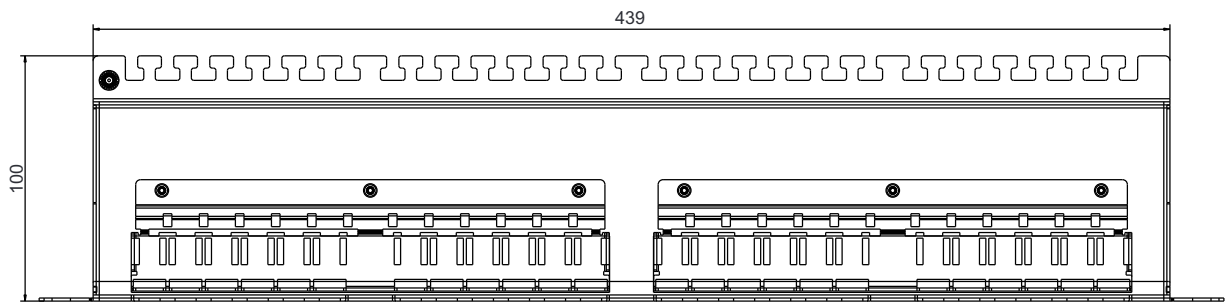
All rights reserved ZVK GmbH D-94244 Teisnach Technologiecampus 2 Germany Phone: +49 9923 804379-0 Fax: +49 9923 804379-50 www.zvk-gmbh.de

b a	Änderung Spr. Neuerstellung	12.12.2023 05.05.2020	TG LP	drawn	05.05.2020	LP		
				appr.	05.05.2020	MJ		
Rev. Index			Date	Name	Titel: EasyLan® preLink® DC-Panel 19" 0,5U Kat. 6A ISO/IEC 24 Ports			Dimensions: mm
					Drawing Number: ZN-BL200213			Original: DIN A4
							Sheet 2 of 3	


Technical Data

Transmission Performance	
10 Gigabit Ethernet acc. to IEEE 802.3an	adequate
Categorie 6 _A	ISO/IEC 11801; DIN EN 50173-1
Class EA	acc. ISO/IEC 11801 Amendment 1/2 typical link length > 2 m, in combination with a CP-cable: CP-Link typ. > 10 m 10 GbE is supported

Drawing



All rights reserved ZVK GmbH D-94244 Teisnach Technologiecampus 2 Germany Phone: +49 9923 804379-50 Fax: +49 9923 804379-50 www.zvk-gmbh.de

b a	Änderung Spr. Neuerstellung	12.12.2023 05.05.2020	TG LP	drawn	05.05.2020	LP	 EasyLan [®] <i>...for a better connectivity</i>	
				appr.	05.05.2020	MJ		
Rev. Index	Revision code	Date	Name	Titel: EasyLan[®] preLink[®] DC-Panel 19" 0,5U Kat. 6A ISO/IEC 24 Ports				Dimensions: mm
Drawing Number:				ZN-BL200213				Original: DIN A4
							Sheet 3 of 3	