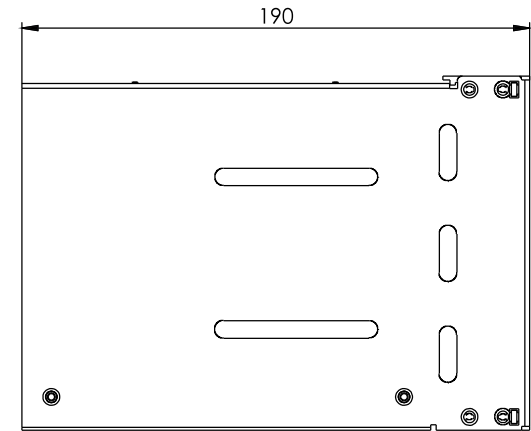
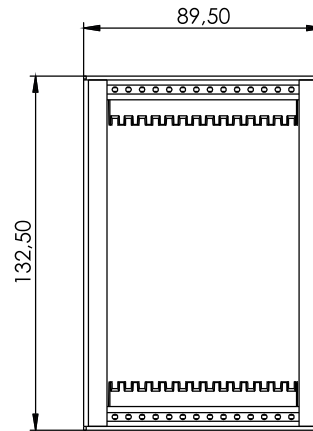
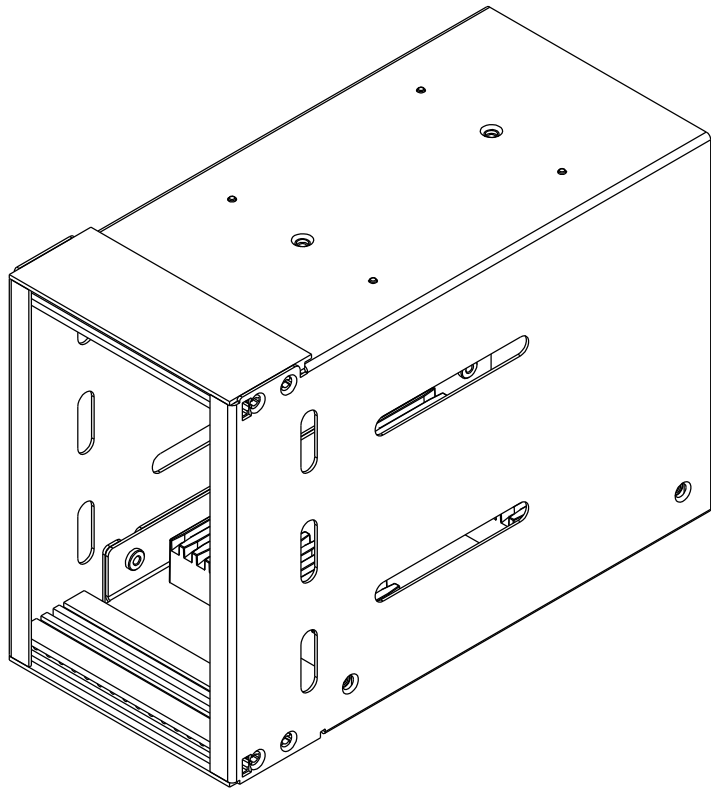



Technical Datasheet

EasyLan[®] Side - Modul Rack (S-MR) 19" 3U for 2x Slot Modules
Article No.: AVMS10001E



				drawn	07.05.2018	LP
				appr.	07.05.2018	MJ
Titel:				EasyLan [®] Side - Modul Rack (S-MR) 19" 3U for 2x Slot Modules		
Drawing number:				ZN-BL181372		
b	Änderung Spr.	08.12.2023	TG			
a	Neuerstellung	07.05.2018	LP			
Index	Revision code	Date	Name	Dimensions: mm		
				Original: DIN A4		
				Sheet 1 of 1		

Material	powder-coated sheet steel
----------	---------------------------

All rights reserved. ZVK GmbH, D-94244 Talsnach, Technologiecampus 2, Germany. Phone: +49 9923 804379-0. Fax: +49 9923 804379-50. www.zvk-gmbh.de. all data without guarantee.