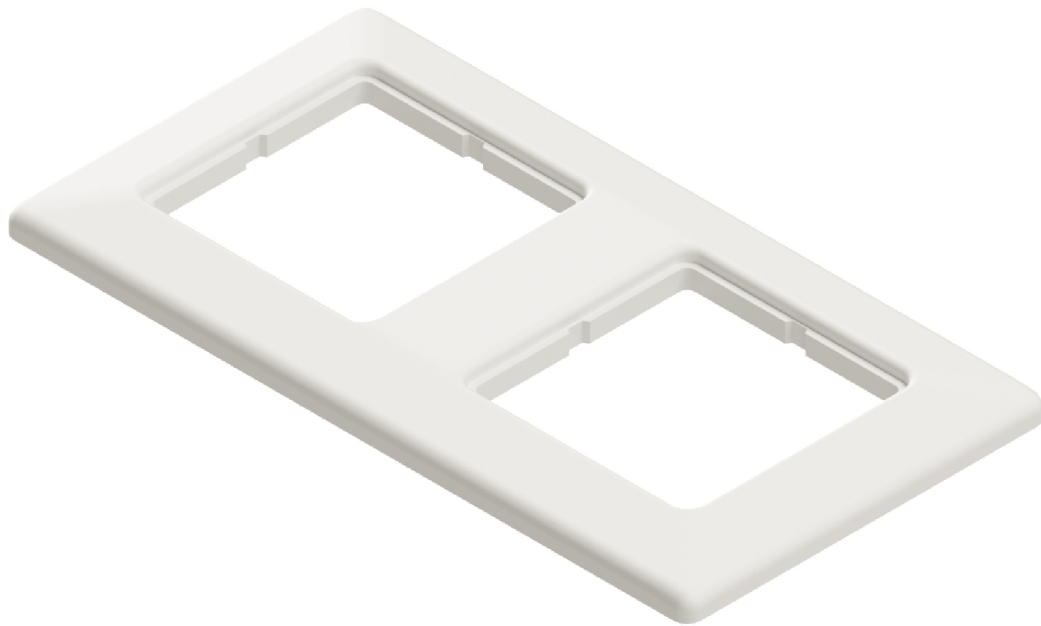



Technical Datasheet

*EasyLan[®] Cover Plate, Double
for Data Outlets, 150x80mm, RAL9010*

Order Code: ADZ00103

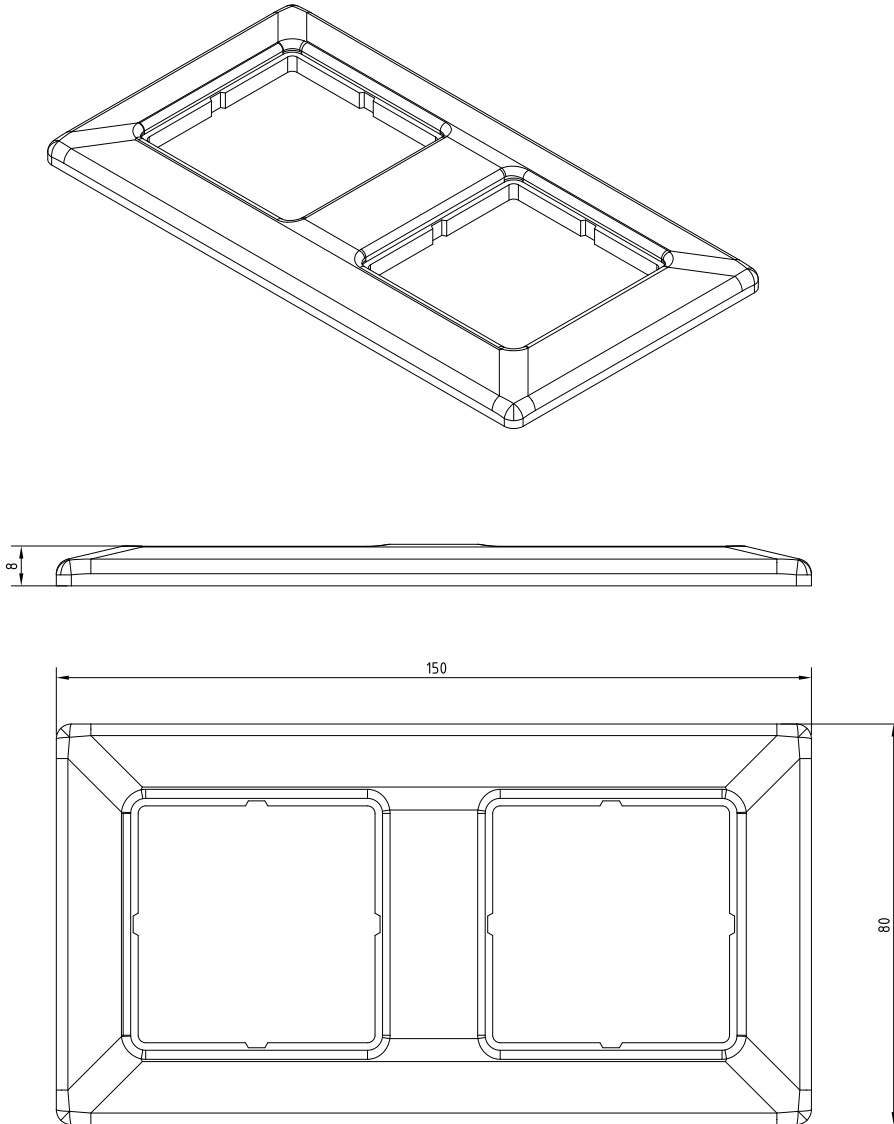


	a	Neuerstellung	23.04.2025	TG	drawn	23.04.2025	TG	
					appr.	23.04.2025	MW	
Rev. Index	Revision Code	Date	Name	Titel: EasyLan[®] Cover Plate 150x80 mm, RAL9010			 EasyLan[®] ...for a better connectivity	
				Drawing number:				Dimension: mm
				ZN-ZB250091				Original: DIN A4
				Sheet 1 of 2				


Technical Data

Charakteristics	
Color	similar RAL 9010
Material	ASA
Area of application	Cover frame for module holder

Drawing



All rights reserved ZVK GmbH D-94244 Teisnach Technologicampus 2 Germany Phone: +49 9923 804379-0 Fax: +49 9923 804379-50 www.zvk-gmbh.de all data without guarantee

a	Neuerstellung	23.04.2025	TG	drawn	23.04.2025	TG		
				appr.	23.04.2025	MW		
Rev. Index	Revision Code	Date	Name	Titel: EasyLan[®] Cover Plate 150x80 mm, RAL9010			 EasyLan[®] <i>...for a better connectivity</i>	
				Drawing number:				Dimension: mm
				ZN-ZB250091				Original: DIN A4
				Sheet 2 of 2				