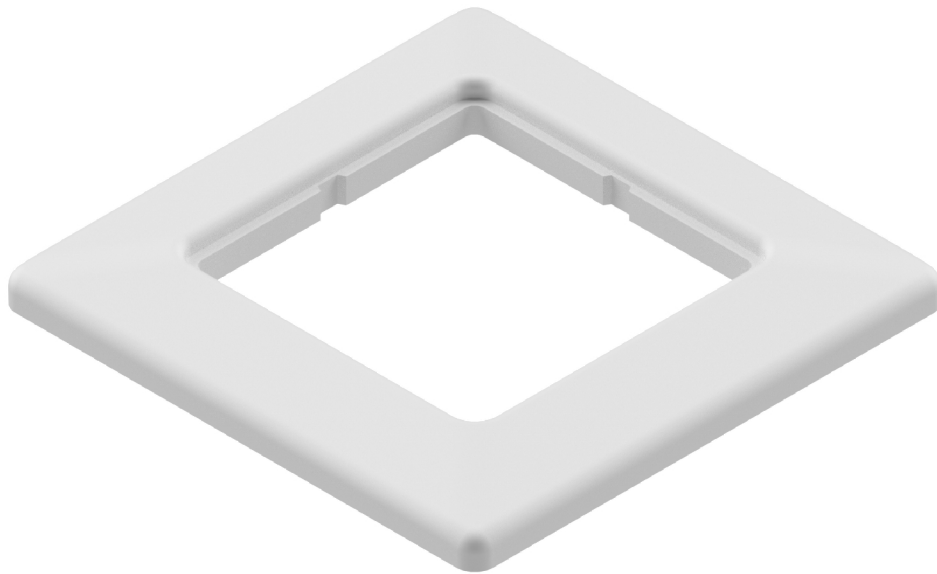



Technical Datasheet

*EasyLan[®] Cover Plate, Single
for Data Outlets, 80x80mm, RAL9010*

Order Code: ADZ00102

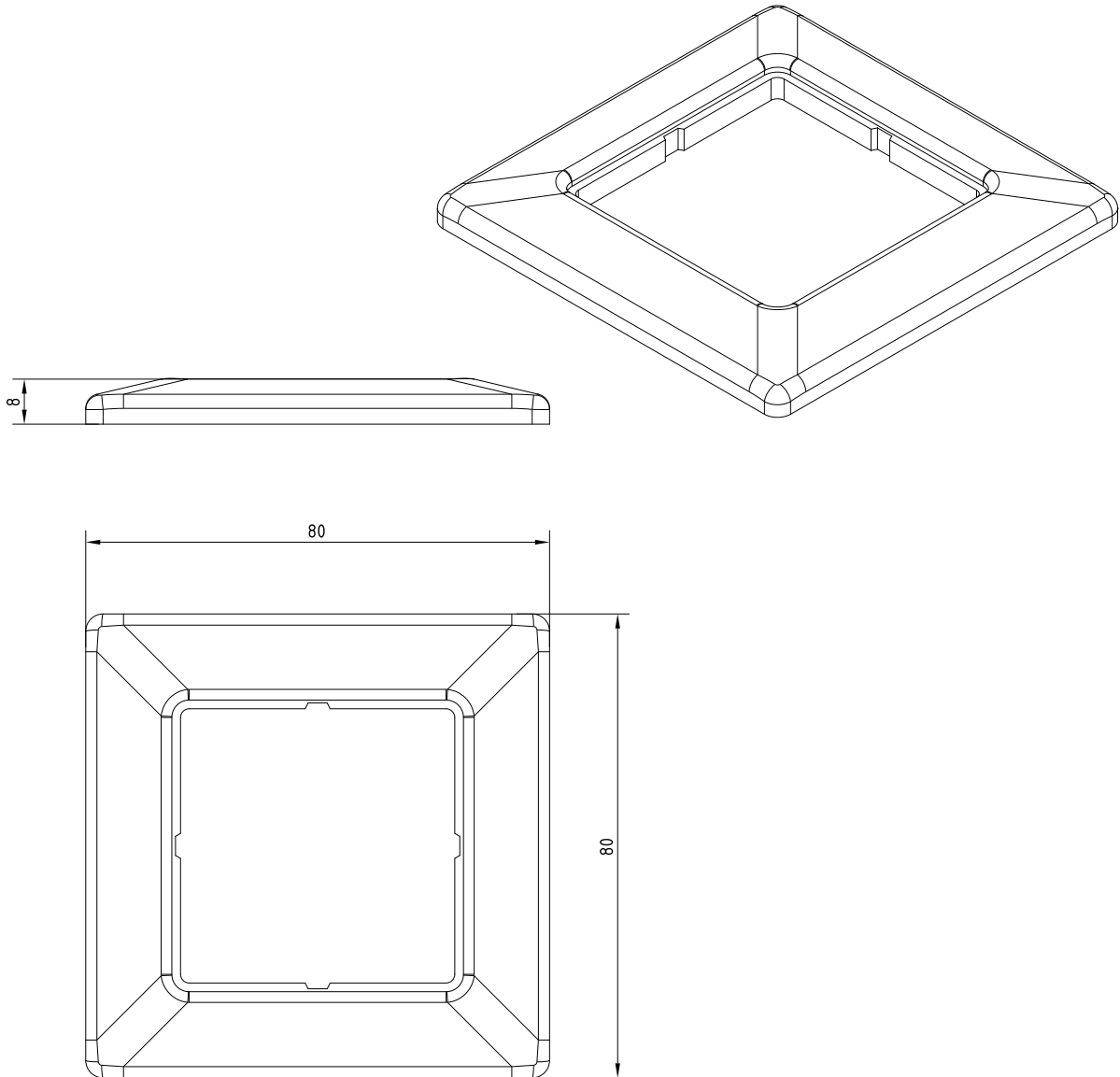


	a	Neuerstellung	23.04.2025	TG	drawn	23.04.2025	TG	 EasyLan[®] ...for a better connectivity
					appr.	23.04.2025	MW	
Titel: EasyLan[®] Cover Plate 80x80 mm, RAL9010					Dimension: mm			
Drawing number: ZN-ZB250090					Original: DIN A4			
Rev. Index	Revision Code	Date	Name					Sheet 1 of 2


Technical Data

Charakteristics	
Color	similar RAL 9010
Material	ASA
Area of application	Cover frame for module holder

Drawing



All rights reserved ZVK GmbH D-94244 Teisnach Technologiecampus 2 Germany Phone: +49 9923 804379-0 Fax: +49 9923 804379-50 www.zvk-gmbh.de all data without guarantee

	a	Neuerstellung	23.04.2025	TG	drawn	23.04.2025	TG
					appr.	23.04.2025	MW
							
					Dimension: mm		
					Original: DIN A4		
					Sheet 2 of 2		
Rev. Index	Revision Code	Date	Name		Titel: EasyLan® Cover Plate 80x80 mm, RAL9010 Drawing number: ZN-ZB250090		