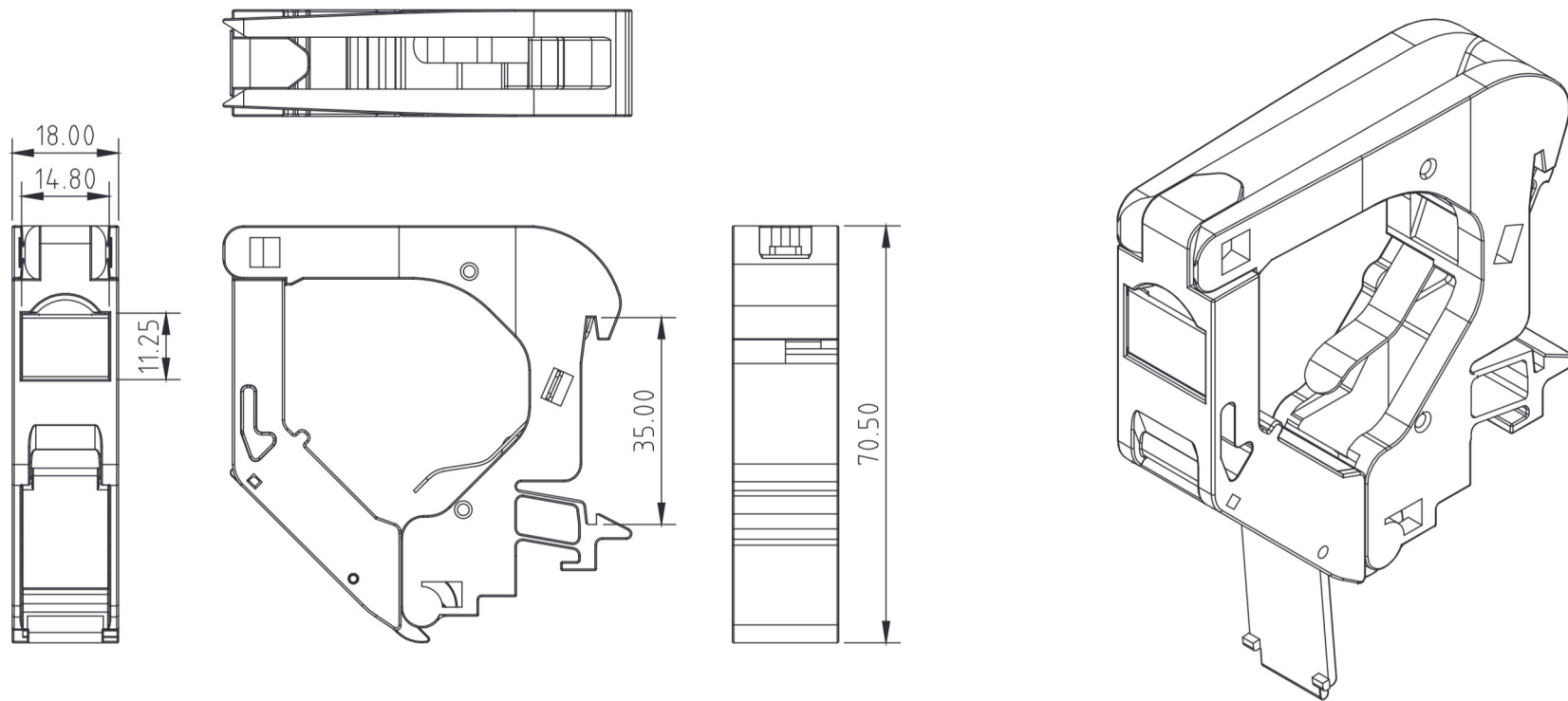



Technical datasheet

preLink® / fixLink® Compact Carrier Rail Modular Housing for 1 Module
Article no.: CKVHECOMOD



Material plastic

				drawn	14.12.2015	MJ
				appr.	15.12.2015	GF
				Titel:		
				preLink® / fixLink® Compact Carrier Rail Modular Housing for 1 Module		
				Drawing number:		
				ZN-CU161008		
b	Anpassung Spr.	14.08.2023	TG			
a	Neuerstellung	14.12.2015	MJ			
Index	Revision code	Date	Name	Dimensions: mm		
				Original: DIN A4		
				Sheet 1 of 1		