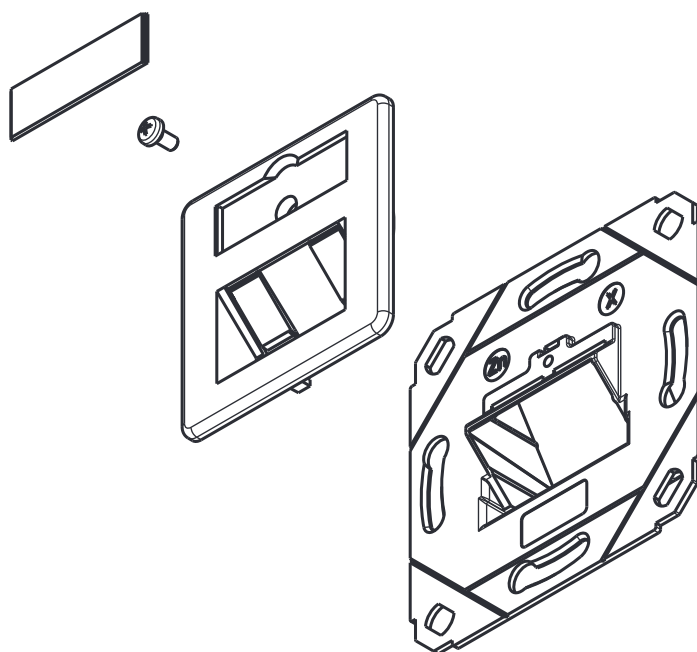



Technical Datasheet

EasyLan[®] designcapable frame for 1Keystone with central plate 50x50mm

Article No. : CKVD1D2



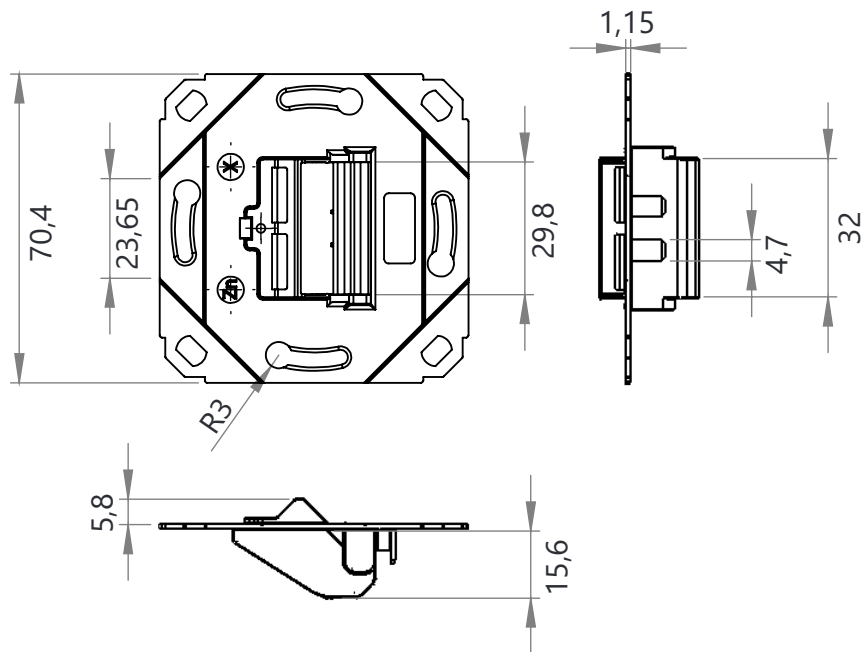
All rights reserved ZVK GmbH D-94244 Teisnach Technologiecampus 2 Germany Phone: +49 9923 804379-0 Fax: +49 9923 804379-50 www.zvk-gmbh.de


				drawn	22.11.2016	MJ	 EasyLan[®] ...for a better connectivity	
				appr.	22.11.2016	GF		
b a	Änderung Spr. Neuerstellung	18.12.2023 22.11.2016	TG MJ	Titel: EasyLan[®] Modulaufnahme mit Zentralplatte 1-fach 50x50 mm				Dimensions: mm
				Drawing Number: ZN-BL161067				Original: DIN A4
Rev. Index	Revision code	Date	Name				Sheet 1 of 2	

Technical Data

Materials	
frame	zinc diecast
screw	M2,5x5 mm / M2,5x8 mm steel
centralplate	PC white (RAL9010)
Possible Modules (ZVK)	
preLink Keystone Cat.6 _A ISO angeled	Art.No. CKWAS010 / CKWAS020 / CKWAO100
preLink Keystone Cat.6A EIA angeled	Art.No. CKWES010 / CKWES020 / CKWEO100
preLink Keystone Cat.6 _A	Art.No. CKPAS010 / CKPAS020 / CKPES010 / CKPES020
fixLink Keystone Cat.6 _A ISO	Art.No. CKFAK001 / CKFAKFL1
fixLink Keystone Cat.6 _A ISO angeled	Art.No. CKWAK007 / CKWAKFL7
Possible Central Plates	
All UAE-covers from the typical switch range manufacturer	
UAE-covers inclusive part numbers of the manufacturer are proved, you can find seperately as an product information.	

Drawing



b a	Änderung Spr. Neuerstellung	18.12.2023 22.11.2016	TG MJ	drawn	22.11.2016	MJ	 EasyLan [®] ...for a better connectivity	
				appr.	22.11.2016	GF		
Titel: EasyLan[®] Modulaufnahme mit Zentralplatte 1-fach 50x50 mm								Dimensions: mm
Drawing Number: ZN-BL161067								Original: DIN A4
Rev. Index	Revision code	Date	Name				Sheet 2 of 2	