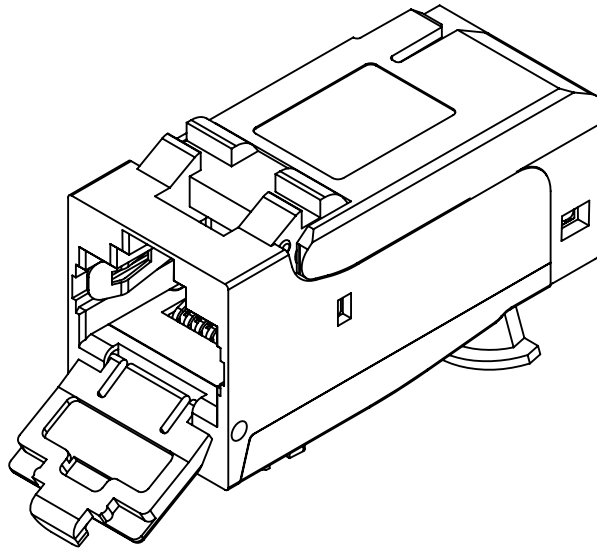



Technical Datasheet

preLink[®] Cat. 6_A ISO/IEC WA

AWG 27 - AWG 26

Article No. : CKWAS011 / CKWAS011EP




a	Neuerstellung	16.12.2020	LP	drawn	16.12.2020	LP	 EasyLan [®] ...for a better connectivity			
				appr.	16.12.2020	MJ				
				Titel:				preLink [®] Cat. 6 _A ISO/IEC WA		Dimensions: mm
				Drawing number:				AWG 27 - AWG 26		Original: DIN A4
Index	Revision code	Date	Name	ZN-CU200574		Sheet 1 of 4				

Technical Data

Connector Standard	IEC 60603-7-51
Mechanical Characteristics	
Life (mating cycles)	≥ 750
Insertion force	≤ 30N
Conductor diameter	flex / stranded 0,457-0,483mm / AWG 27/7 - AWG 26/7
Insulation diameter	5 - 9 mm
Reusable (Module)	≥ 25 cycles
Reusable (Connection block)	0 cycles
EC Directive 2002/95/EC (RoHS)	RoHS-compliant
Materials	
Housing	Zinc diecast
Strain-relief sliver	Zinc diecast
Surface	Nickel plating
Shield spring	Stainless steel
Dust protection cover	PC clear
PCB	FR-4
PCB finish	chem. NiAu
Contacts	Spring steel
Contact finish (RJ45)	1,27 µm / 50µin Au
Contact finish (connection block)	0,762 µm / 30µin Au
Insulation housing	PA light green (RAL 6027)
Connection block	PC yellow clear
IDC	CuSn6
IDC finish	contact area 0,762 µm / 30µin Au
Environmental Requirements	
Particulate ingress	IP2X
Water ingress	IPX0
Ambient temperature	-40°C bis / to +70°C
Electrical Characteristics	
Contact resistance	≤ 20 mΩ
Insulation resistance	≥ 500 MΩ
Voltage proof - contact-contact	≥ 1000 V (DC)
Voltage proof - contact-shield	≥ 1500 V (DC)
Current carrying capacity at 50°C	1,25 A
PoE+ according to IEEE 802.3at	Adequate
Transfer Impedance at 1 MHz	≤ 100 mΩ
Transfer Impedance at 10 MHz	≤ 200 mΩ
Transfer Impedance at 80 MHz	≤ 1600 mΩ

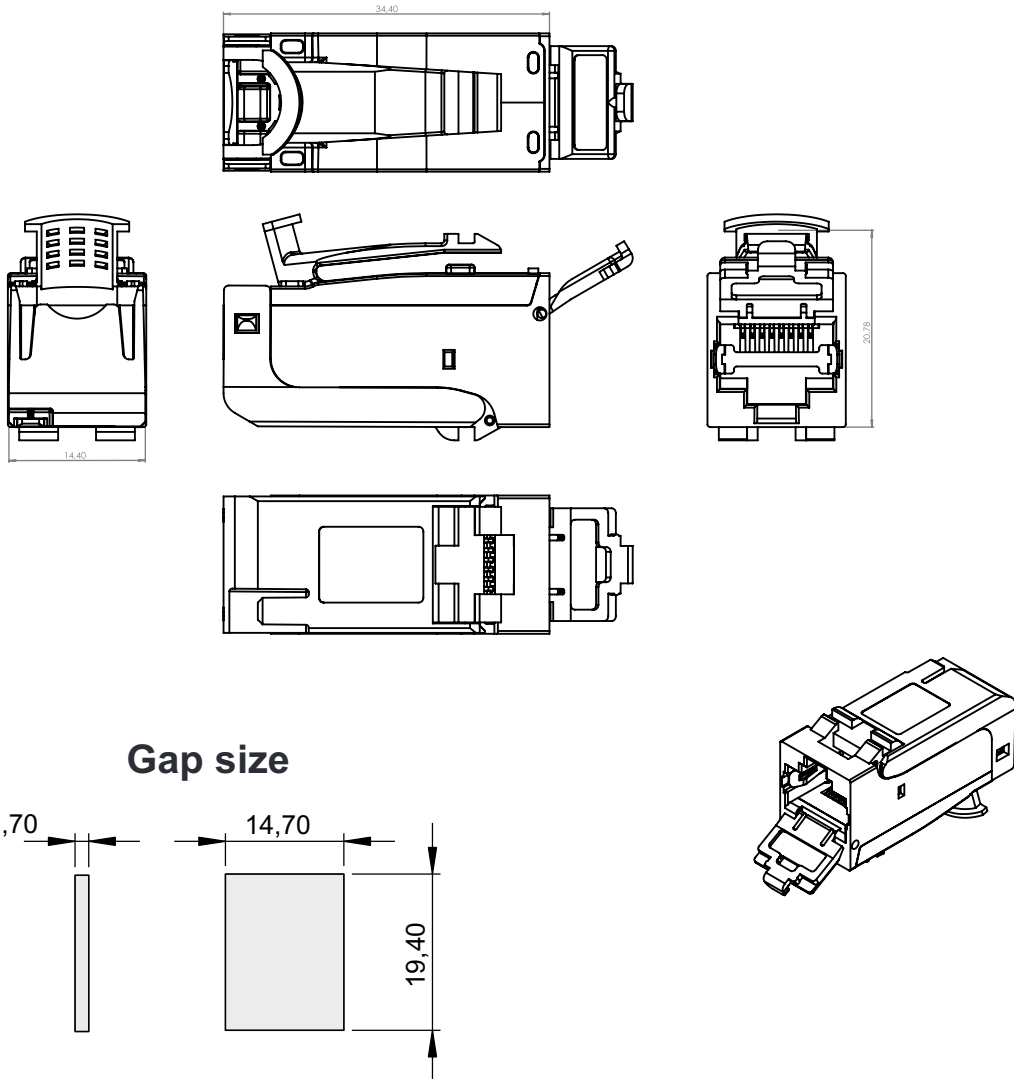
All rights reserved ZVK GmbH D-94244 Teisnach Technologicampus 2 Germany Phone: +49 9923 804379-0 Fax: +49 9923 804379-50 www.zvk-gmbh.de

a	Neuerstellung	16.12.2020	LP	drawn	16.12.2020	LP		
				appr.	16.12.2020	MJ		
Index	Revision code	Date	Name	Titel: preLink® Cat. 6_A ISO/IEC WA AWG 27 - AWG 26				
				Drawing number:				Dimensions: mm
				ZN-CU200574				Original: DIN A4
				Sheet 2 of 4				


Technical Data

Transmission Performance	
10 Gigabit Ethernet acc. to IEEE 802.3an	adequate
Categorie 6 _A	ISO/IEC 11801; DIN EN 50173-1
Class EA	acc. ISO/IEC 11801 Amendment 1/2 typical link length > 2 m in combination with a CP-cable: CP-Link typ. > 10 m 10 GbE is supported

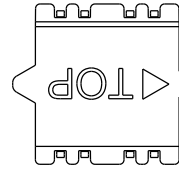
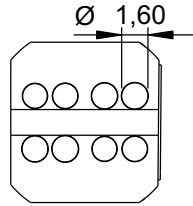
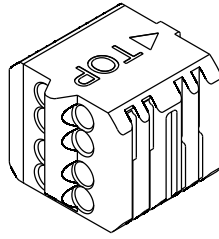
Drawing



All rights reserved ZVK GmbH D-94244 Teisnach Technologiecampus 2 Germany Phone: +49 9923 804379-0 Fax: +49 9923 804379-50 www.zvk-gmbh.de

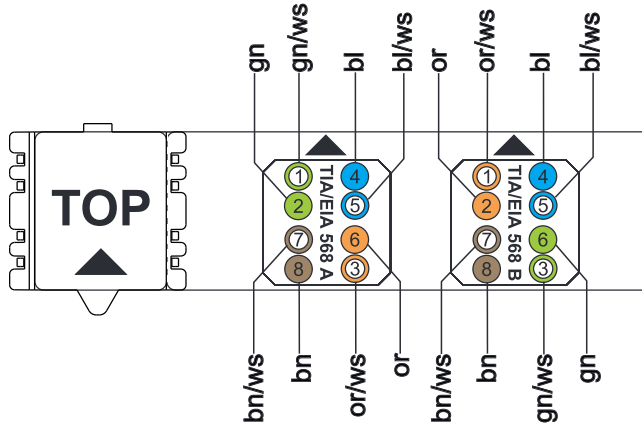
a	Neuerstellung	16.12.2020	LP	drawn	16.12.2020	LP		
				appr.	16.12.2020	MJ		
Index	Revision code	Date	Name	Titel: preLink® Cat. 6_A ISO/IEC WA AWG 27 - AWG 26			 EasyLan® ...for a better connectivity	
				Drawing number: ZN-CU200574				Dimensions: mm
								Original: DIN A4
				Sheet 3 of 4				

Drawing



Scale 2:1

Configuration



				drawn	16.12.2020	LP
				appr.	16.12.2020	MJ
a	Neuerstellung	16.12.2020	LP	Titel: preLink® Cat. 6_A ISO/IEC WA AWG 27 - AWG 26		
				Drawing number: ZN-CU200574		
				Dimensions: mm Original: DIN A4 Sheet 4 of 4		

