

Technical Datasheet

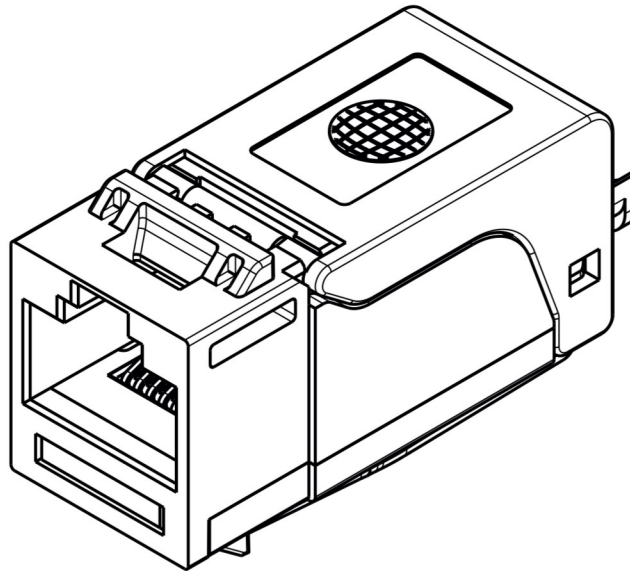
preLink[®] UTP Cat. 6 EIA/TIA

AWG 24 - AWG 22 / AWG 27 - AWG 26

Article No. :

AWG24-22 - CKVPUS010

AWG27-26 - CKVPUS020



f e d c b a	Anpassung Änderung Änderung Änderung Änderung Neuerstellung	30.07.2025 17.02.2023 13.07.2022 12.03.2020 19.08.2019 28.07.2017	TG MW LE LP LP LP	drawn	28.07.2017	LP	 EasyLan[®] ...for a better connectivity		
				appr.	28.07.2017	GF			
				Titel: preLink[®] UTP Cat. 6 EIA/TIA AWG 24 - AWG 22 / AWG 27 - AWG 26				Dimensions: mm	
				Drawing number: ZN-CU171103				Original: DIN A4	
Index	Revision code	Date	Name				Sheet 1 of 3		

Technical Data

Connector Standard	IEC 60603-7-51
Mechanical Characteristics	
Life (mating cycles)	≥ 750
Insertion force	≤ 30N
Conductor diameter	AWG24-22 / AWG27-26
Insulation diameter	5 - 9 mm
EC Directive 2002/95/EC (RoHS)	RoHS-compliant
UL listed	E485104
Keystone format	Yes
Materials	
Housing	PC black (RAL 9005)
PCB	FR-4
PCB finish	HAL lead-free
Contacts	Spring steel
Contact finish	0,76 µm / 30µin Au
Contact support plate	PC yellow (RAL 1021)
Dust protection Cover	PC transparent
IDC	CuNi2Si
IDC finish	min. 3-6 µm (120-240µin) Sn
Protection class	IP20
Panel spring	Plastic
Environmental Requirements	
Particulate ingress	IP2X
Water ingress	IPX0
Ambient temperature	-40°C bis / to +70°C
Packaging material	bio-degradable
Electrical Characteristics	
Contact resistance	≤ 20 mΩ
Insulation resistance	≥ 500 MΩ
Voltage proof - contact-contact	≥ 1000 V (DC)
Voltage proof - contact-shield	≥ 1500 V (DC)
Current carrying capacity at 50°C	1,25 A
Unshielded	Yes
PoE (IEEE 802.af) 15,4W	adequate
PoE+ (IEEE 802.3at) 30W	adequate
PoE++ /4PPoE (IEEE 802.3bt) till 100W	adequate
Transfer Impedance at 1 MHz	≤ 100 mΩ
Transfer Impedance at 10 MHz	≤ 200 mΩ
Transfer Impedance at 80 MHz	≤ 1600 mΩ

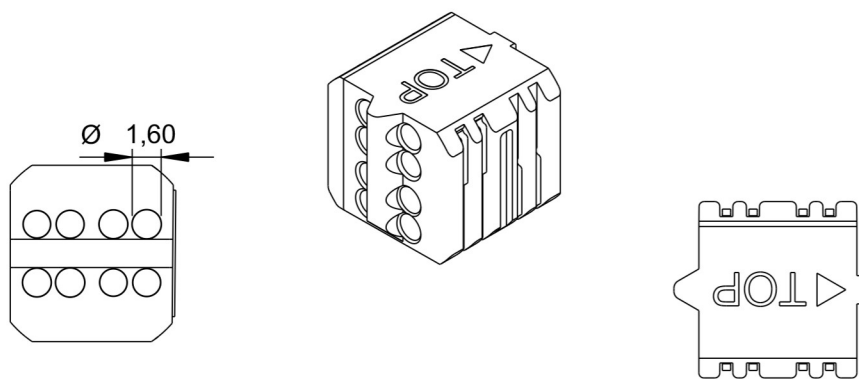
All rights reserved ZVK GmbH D-94244 Teisnach Technologicampus 2 Germany Phone: +49 9923 804379-0 Fax: +49 9923 804379-50 www.zvk-gmbh.de

f e d c b a	Anpassung Änderung Änderung Änderung Änderung Neuerstellung	30.07.2025 17.02.2023 13.07.2022 12.03.2020 19.08.2019 28.07.2017	TG MW LE LP LP LP	drawn	28.07.2017	LP			
				appr.	28.07.2017	GF			
				Titel: preLink® UTP Cat. 6 EIA/TIA AWG 24 - AWG 22 / AWG 27 - AWG 26				Dimensions: mm	
				Drawing number: ZN-CU171103				Original: DIN A4 Sheet 2 of 3	
Index	Revision code	Date	Name						

Technical Data

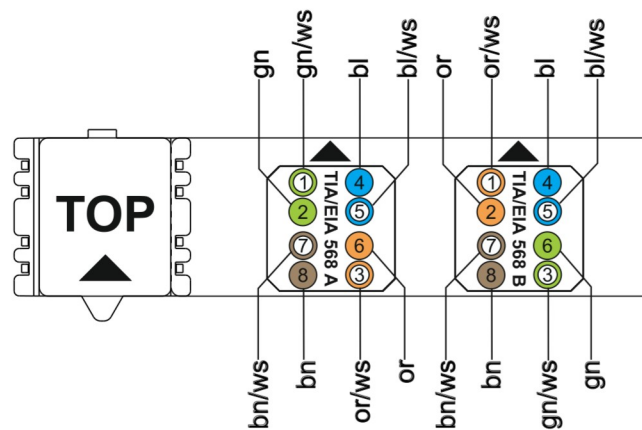
Transmission Performance	
10 Gigabit Ethernet acc. to IEEE 802.3an	adequate
Categorie 6	EIA/TIA 568
Link length	>2m
CP-Link	>10m
Matching Data Outlets	
preLink®/fixLink® Flush-mounted housing set, 80x80mm, angled, Single	Order code: CKVDU191
preLink®/fixLink® Flush-mounted housing set, 80x80mm, angled, Double	Order code: CKVDU192
preLink®/fixLink® Flush-mounted housing set, 80x80mm, angled, Triple	Order code: CKVDU193
preLink®/fixLink® Data Outlet with Cover plate and Frame, 80x80mm, horizontal, Double	Order code: CKVDU292

Drawing



Scale 2:1

Configuration



				drawn	28.07.2017	LP
				appr.	28.07.2017	GF
				Titel:		
				preLink® UTP Cat. 6 EIA/TIA AWG 24 - AWG 22 / AWG 27 - AWG 26		
				Drawing number:		
				ZN-CU171103		
f	Anpassung	30.07.2025	TG			
e	Änderung	17.02.2023	MW			
d	Änderung	13.07.2022	LE			
c	Änderung	12.03.2020	LP			
b	Änderung	19.08.2019	LP			
a	Neuerstellung	28.07.2017	LP			
Index	Revision code	Date	Name			



Dimensions: mm

Original: DIN A4

Sheet 3 of 3