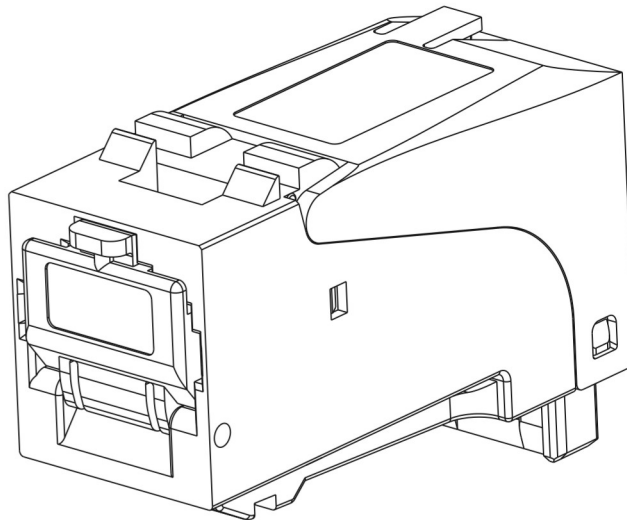


# Technical Datasheet

## *preLink*<sup>®</sup> SL Kat. 6<sub>A</sub> ISO/IEC

AWG 24 - AWG 22

**Article No. : CKPAS011 / CKPAS011EP**



d c b a	Anpassung Änderung Spr. Bestellcode Neuerstellung	29.07.2025 12.12.2023 09.03.2017 06.07.2016	TG TG GF MJ	drawn 06.07.2016 MJ	 <b>EasyLan</b> <sup>®</sup> ...for a better connectivity	
				appr. 06.07.2016 GF		
				Titel: <b>preLink<sup>®</sup> SL Kat. 6<sub>A</sub> ISO/IEC</b> AWG 24 - AWG 22		Dimensions: mm
				Drawing Number: <b>ZN-CU161036</b>		Original: DIN A4  Sheet 1 of 4
Rev. Index	Revision code	Date	Name			

# Technical Data

<b>Connector Standard</b>	IEC 60603-7-51
<b>Mechanical Characteristics</b>	
Life (mating cycles)	≥ 750
Insertion force	≤ 30N
Conductor diameter	massiv / solid 0,51-0,65 mm / AWG 24/1 - AWG 22/1
Insulation diameter	5 - 9 mm
Reusable (Module)	≥ 25 cycles
Reusable (Connection block)	0 cycles
EC Directive 2002/95/EC (RoHS)	RoHS-compliant
Keystone format	Yes
Design compatibility	Yes
<b>Materials</b>	
Housing	zinc diecast
Strain-relief sliver	zinc diecast
Surface	nickel plating
Standard dust cover	Inkluded
Shield spring	stainless steel
Dust protection cover	PC clear
PCB	FR-4
PCB finish	chem. NiAu
Contacts	spring steel
Contact finish (RJ45)	1,27 µm / 30µin Au
Contact finish (connection block)	0,762 µm / 30µin Au
Insulation housing	PA light green (RAL 6027)
Connection block	PC yellow clear
IDC	CuSn6
IDC finish	contact area 0,762 µm / 30µin Au
Protection class	IP20
Panel spring	Die-cast zinc
<b>Environmental Requirements</b>	
Particulate ingress	IP2X
Water ingress	IPX0
Ambient temperature	-40°C to +70°C

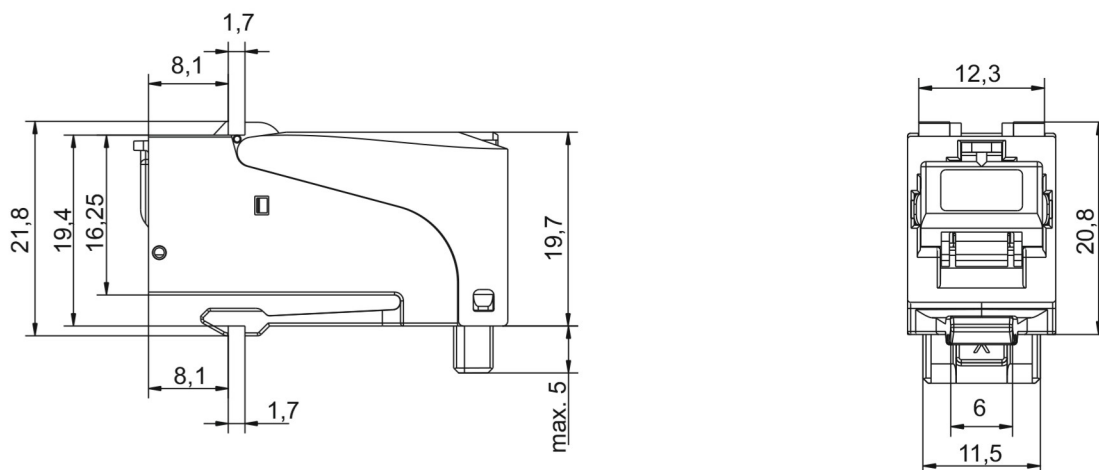
All rights reserved ZVK GmbH D-94244 Teisnach Technologicampus 2 Germany Phone: +49 9923 804379-0 Fax: +49 9923 804379-50 www.zvk-gmbh.de

d c b a	Anpassung Änderung Spr. Bestellcode Neuerstellung	29.07.2025 12.12.2023 09.03.2017 06.07.2016	TG TG GF MJ	drawn	06.07.2016	MJ		
				appr.	06.07.2016	GF		
				Titel: <b>preLink<sup>®</sup> SL Kat. 6<sub>A</sub> ISO/IEC</b> AWG 24 - AWG 22				Dimensions: mm
				Drawing Number: <b>ZN-CU161036</b>				Original: DIN A4
Rev. Index	Revision code	Date	Name				Sheet 2 of 4	

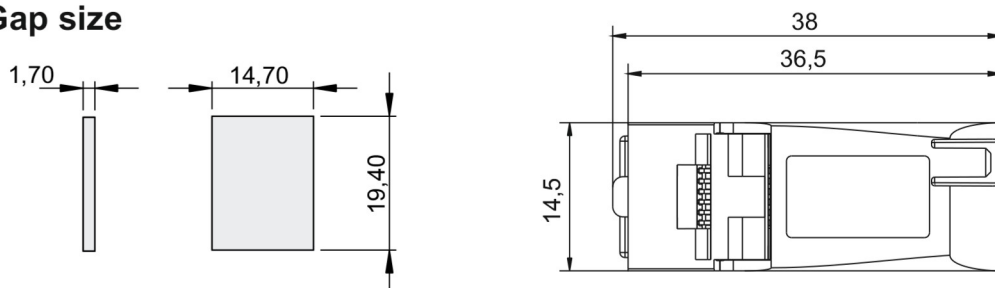
# Technical Data

Electrical Characteristics	
Contact resistance	≤ 20 mΩ
Insulation resistance	≥ 500 MΩ
Voltage proof - contact-contact	≥ 1000 V (DC)
Voltage proof - contact-shield	≥ 1500 V (DC)
Current carrying capacity at 50°C	1,25 A
Shielded	Yes
PoE (IEEE 802.af) 15,4W	adequate
PoE+ (IEEE 802.3at) 30W	adequate
PoE++ / 4PPoE (IEEE 802.3bt) till 100W	adequate
Transfer Impedance at 1 MHz	≤ 100 mΩ
Transfer Impedance at 10 MHz	≤ 200 mΩ
Transfer Impedance at 80 MHz	≤ 1600 mΩ
Transmission Performance	
10 Gigabit Ethernet acc. to IEEE 802.3an	adequate
Categorie 6 <sub>A</sub>	ISO/IEC 11801; EIA/TIA 568; DIN EN 50173-1
Categorie 6	ISO/IEC 11801
Class EA	acc. ISO/IEC 11801 Amendment 1/2 typical link length > 2 m, in combination with a CP-cable: CP-Link typ. > 10 m 10 GbE is supported

## Drawing



### Gap size



All rights reserved ZVK GmbH D-94244 Teisnach Technologiecampus 2 Germany Phone: +49 9923 804379-0 Fax: +49 9923 804379-50 www.zvk-gmbh.de

d c b a	Anpassung Änderung Spr. Bestellcode Neuerstellung	29.07.2025 12.12.2023 09.03.2017 06.07.2016	TG TG GF MJ	drawn	06.07.2016	MJ
				appr.	06.07.2016	GF
				Titel:		
				preLink <sup>®</sup> SL Kat. 6 <sub>A</sub> ISO/IEC AWG 24 - AWG 22		
Rev. Index	Revision code	Date	Name	Drawing Number: <b>ZN-CU161036</b>		

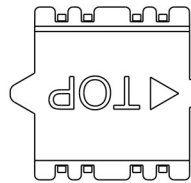
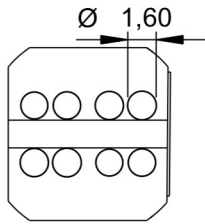
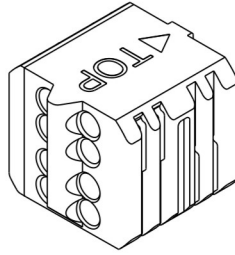


Dimensions: mm

Original: DIN A4

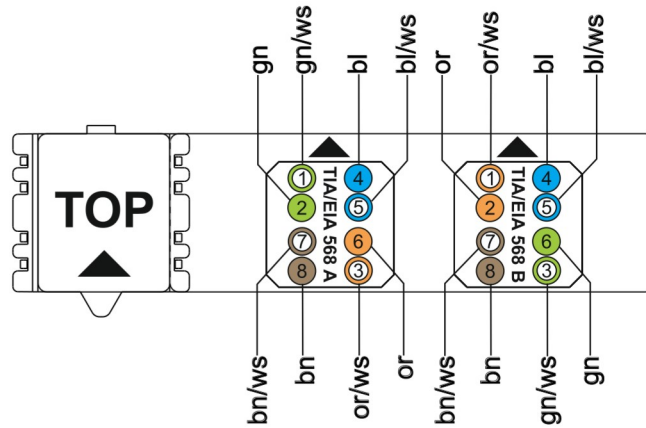
Sheet 3 of 4

# Drawing



Scale 2:1

# Configuration



				drawn	06.07.2016	MJ
				appr.	06.07.2016	GF
d c b a	Anpassung Änderung Spr. Bestellcode Neuerstellung	29.07.2025 12.12.2023 09.03.2017 06.07.2016	TG TG GF MJ	Titel: <b>preLink<sup>®</sup> SL Kat. 6<sub>A</sub> ISO/IEC</b> AWG 24 - AWG 22		
				Drawing Number: <b>ZN-CU161036</b>		
				Rev. Index	Revision code	Date
				Dimensions: mm		
				Original: DIN A4		
				Sheet 4 of 4		