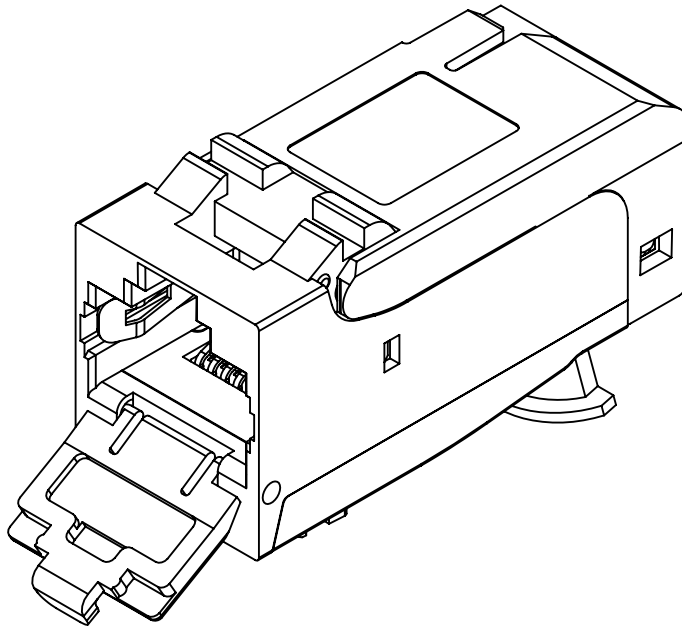



# Technical Datasheet

## *preLink*<sup>®</sup> Cat. 6<sub>A</sub> ISO/IEC WA

AWG 24 - AWG 22

**Article No. : CKWAS011 / CKWAS011EP**



|                  |   |  |                      |   |            |    |   |                  |
|------------------|---|--|----------------------|---|------------|----|---|------------------|
| d<br>c<br>b<br>a | Änderung Spr.<br>Änderung<br>Bestellcode<br>Neuerstellung | 12.12.2023<br>28.01.2022<br>09.03.2017<br>12.08.2015 | TG<br>MW<br>GF<br>MJ | drawn   | 12.08.2015 | MJ |  <b>EasyLan</b> <sup>®</sup><br>...for a better connectivity |                  |
|                  |   |  |                      | appr.   | 13.08.2015 | GF |   |                  |
|                  |   |  |                      | Titel:<br><b>preLink<sup>®</sup> Cat. 6<sub>A</sub> ISO/IEC WA</b><br>AWG 24 - AWG 22 |            |    |   | Dimensions: mm   |
|                  |   |  |                      | Drawing Number:<br><b>ZN-CU151067</b>   |            |    |   | Original: DIN A4 |
| Rev. Index       | Revision code   | Date   | Name                 |   |            |    | Sheet 1 of 4  |                  |

# Technical Data

|                                   |   |
|-----------------------------------|---|
| <b>Connector Standard</b>         | IEC 60603-7-51                                    |
| <b>Mechanical Characteristics</b> |   |
| Life (mating cycles)              | ≥ 750   |
| Insertion force                   | ≤ 30N   |
| Conductor diameter                | massiv / solid 0,51-0,65 mm / AWG 24/1 - AWG 22/1 |
| Insulation diameter               | 5 - 9 mm  |
| Reusable (Module)                 | ≥ 25 cycles                                       |
| Reusable (Connection block)       | 0 cycles  |
| EC Directive 2002/95/EC (RoHS)    | RoHS-compliant                                    |
| <b>Materials</b>                  |   |
| Housing                           | zinc diecast                                      |
| Strain-relief sliver              | zinc diecast                                      |
| Surface                           | nickel plating                                    |
| Shield spring                     | stainless steel                                   |
| Dust protection cover             | PC clear  |
| PCB                               | FR-4  |
| PCB finish                        | chem. NiAu  |
| Contacts                          | spring steel                                      |
| Contact finish (RJ45)             | 1,27 µm / 50µin Au                                |
| Contact finish (connection block) | 0,762 µm / 30µin Au                               |
| Insulation housing                | PA light green (RAL 6027)                         |
| Connection block                  | PC yellow clear                                   |
| IDC                               | CuSn6   |
| IDC finish                        | contact area 0,762 µm / 30µin Au                  |
| <b>Environmental Requirements</b> |   |
| Particulate ingress               | IP2X  |
| Water ingress                     | IPX0  |
| Ambient temperature               | -40°C to +70°C                                    |
| <b>Electrical Characteristics</b> |   |
| Contact resistance                | ≤ 20 mΩ   |
| Insulation resistance             | ≥ 500 MΩ  |
| Voltage proof - contact-contact   | ≥ 1000 V (DC)                                     |
| Voltage proof - contact-shield    | ≥ 1500 V (DC)                                     |
| Current carrying capacity at 50°C | 1,25 A  |
| PoE+ according to IEEE 802.3at    | adequate  |
| Transfer Impedance at 1 MHz       | ≤ 100 mΩ  |
| Transfer Impedance at 10 MHz      | ≤ 200 mΩ  |
| Transfer Impedance at 80 MHz      | ≤ 1600 mΩ   |

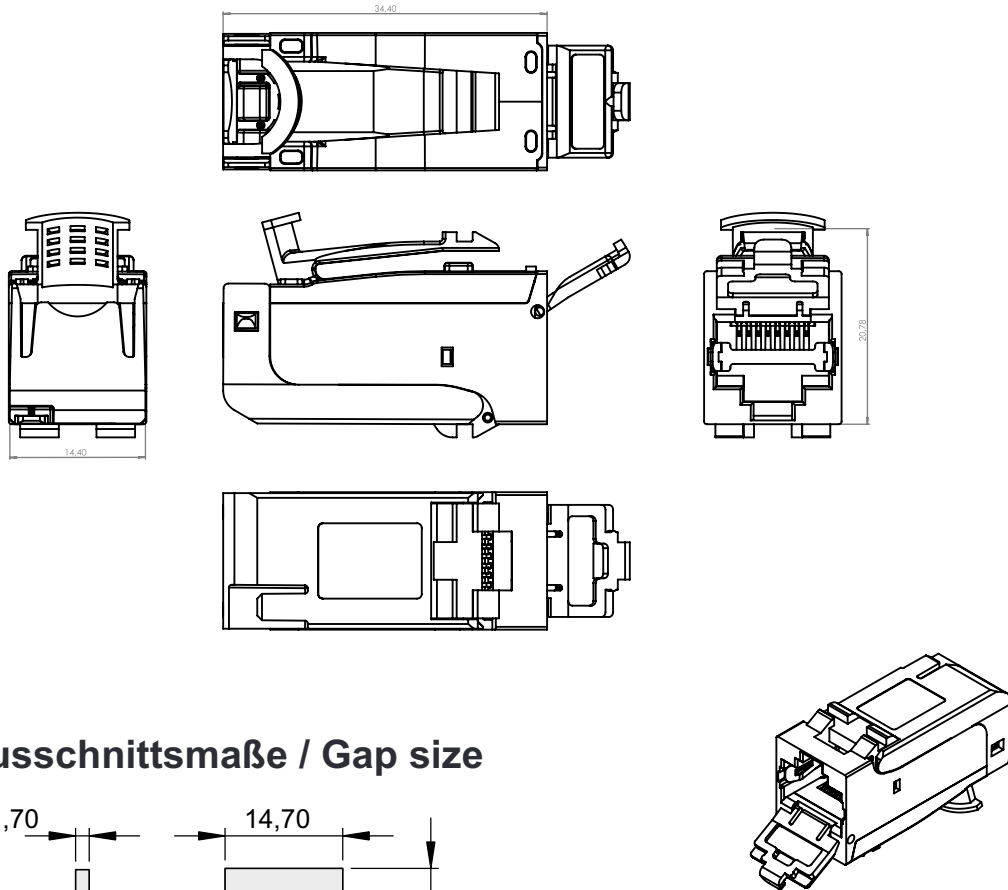
All rights reserved ZVK GmbH D-94244 Teisnach Technologycampus 2 Germany Phone: +49 9923 804379-0 Fax: +49 9923 804379-50 www.zvk-gmbh.de

|                  |   |  |                      |  |            |    |   |                  |
|------------------|---|--|----------------------|--|------------|----|---|------------------|
| d<br>c<br>b<br>a | Änderung Spr.<br>Änderung<br>Bestellcode<br>Neuerstellung | 12.12.2023<br>28.01.2022<br>09.03.2017<br>12.08.2015 | TG<br>MW<br>GF<br>MJ | drawn  | 12.08.2015 | MJ |  <b>EasyLan</b> <sup>®</sup><br>...for a better connectivity |                  |
|                  |   |  |                      | appr.  | 13.08.2015 | GF |   |                  |
|                  |   |  |                      | Titel:<br><b>preLink<sup>®</sup> Cat. 6<sub>A</sub> ISO/IEC WA</b><br><b>AWG 24 - AWG 22</b> |            |    |   | Dimensions: mm   |
|                  |   |  |                      | Drawing Number:<br><b>ZN-CU151067</b>  |            |    |   | Original: DIN A4 |
| Rev. Index       | Revision code   | Date   | Name                 | Sheet 2 of 4   |            |    |   |                  |

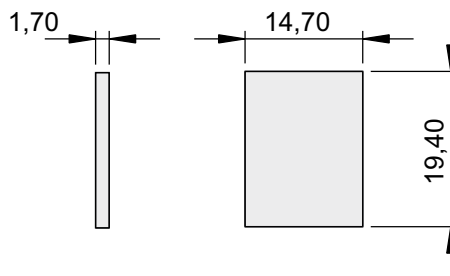
# Technical Data

|  |  |
|--|--|
| <b>Transmission Performance</b>          |  |
| 10 Gigabit Ethernet acc. to IEEE 802.3an | adequate   |
| Categorie 6 <sub>A</sub>                 | ISO/IEC 11801; DIN EN 50173-1  |
| Class EA                                 | acc. ISO/IEC 11801 Amendment 1/2<br>typical link length > 2 m in combination with a CP-cable:<br>CP-Link typ. > 10 m 10 GbE is supported |

## Drawing



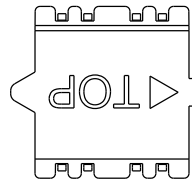
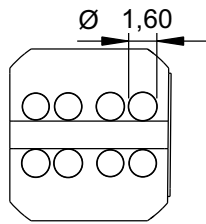
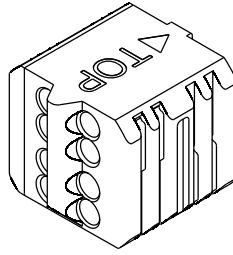
## Ausschnittsmaße / Gap size



|                  |   |  |                      |   |            |    |
|------------------|---|--|----------------------|---|------------|----|
| d<br>c<br>b<br>a | Änderung Spr.<br>Änderung<br>Bestellcode<br>Neuerstellung | 12.12.2023<br>28.01.2022<br>09.03.2017<br>12.08.2015 | TG<br>MW<br>GF<br>MJ | drawn   | 12.08.2015 | MJ |
|                  |   |  |                      | appr.   | 13.08.2015 | GF |
|                  |   |  |                      | Titel:<br><b>preLink<sup>®</sup> Cat. 6<sub>A</sub> ISO/IEC WA</b><br>AWG 24 - AWG 22 |            |    |
|                  |   |  |                      | Drawing Number:<br><b>ZN-CU151067</b>   |            |    |
| Rev. Index       | Revision code   | Date   | Name                 | Dimensions: mm<br>Original: DIN A4<br>Sheet 3 of 4                                    |            |    |

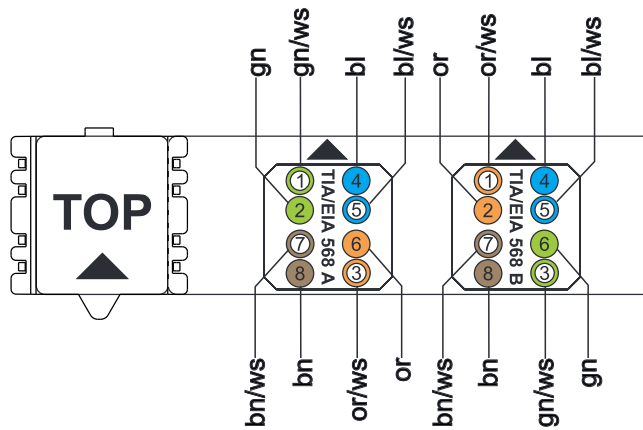


# Drawing



Scale 2:1

# Configuration



|                  |   |  |                      |  |            |    |                  |  |  |
|------------------|---|--|----------------------|--|------------|----|------------------|--|--|
| d<br>c<br>b<br>a | Änderung Spr.<br>Änderung<br>Bestellcode<br>Neuerstellung | 12.12.2023<br>28.01.2022<br>09.03.2017<br>12.08.2015 | TG<br>MW<br>GF<br>MJ | drawn  | 12.08.2015 | MJ |                  |  |  |
|                  |   |  |                      | appr.  | 13.08.2015 | GF |                  |  |  |
|                  |   |  |                      | Titel:<br><b>preLink® Cat. 6<sub>A</sub> ISO/IEC WA</b><br>AWG 24 - AWG 22 |            |    | Dimensions: mm   |  |  |
|                  |   |  |                      | Drawing Number:<br><b>ZN-CU151067</b>                                      |            |    | Original: DIN A4 |  |  |
| Rev. Index       | Revision code   | Date   | Name                 | Sheet 4 of 4   |            |    |                  |  |  |

