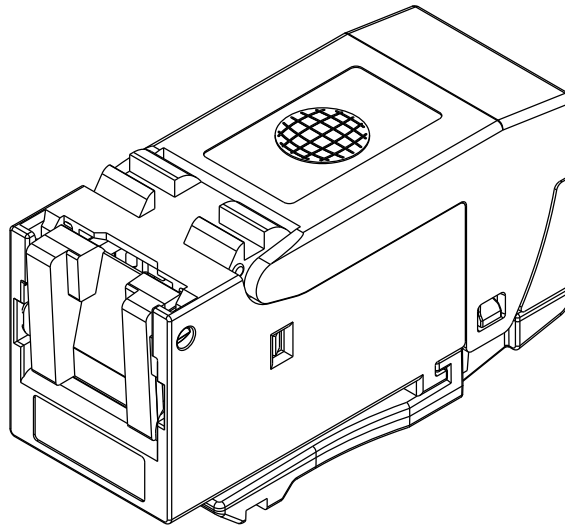



Technical Datasheet

fixLink[®] Pro+ Cat. 8.1

AWG 26 - AWG 22

Item No. : CKFAK002P+ / CKFAK002P+EP




	b a	Änderung Neuerstellung	08.02.2023 28.06.2022	LE LE	drawn	28.06.2022	LE	 EasyLan[®] ...for a better connectivity
					appr.	28.06.2022	MJ	
Titel: fixLink[®] Pro+ Cat. 8.1 AWG 26 - AWG 22					Dimensions: mm			
Drawing number: ZN-CU220062					Original: DIN A4			
Index	Revision code	Date	Name					Sheet 1 of 4

Technical Data

Connector Standard	IEC 60603-7-51
Mechanical Characteristics	
Life (mating cycles)	≥ 750
Insertion force	≤ 30N
Conductor diameter	flex / solid / AWG 26/7 - AWG 22/1
Insulation diameter	5 - 9 mm
Reusable (Module)	≤ 5 Cycles with the same diameter
EC Directive 2002/95/EC (RoHS)	RoHS-compliant
Materials	
Housing	Zinc diecast
Strain-relief spring	Stainless steel
Surface	Nickel plated
Shield spring	Stainless steel
PCB	FR-4
PCB finish	Chem. Ni/Au
Contacts	Spring steel
Contact finish	1,27 µm / 50µin Au
Insulation housing	PC limegreen
Contact support plate	PC white
Dust protection Cover	PC transparent
IDC	CuNi2Si
IDC finish	min. 3-6 µm (120-240µin) Sn
Environmental Requirements	
Particulate ingress	IP2X
Water ingress	IPX0
Ambient temperature	-40°C bis / to +70°C
Packaging material	bio-degradable
Electrical Characteristics	
Contact resistance	≤ 20 mΩ
Insulation resistance	≥ 500 MΩ
Voltage proof - contact-contact	≥ 1000 V (DC)
Voltage proof - contact-shield	≥ 1500 V (DC)
Current carrying capacity at 50°C	1,25 A
PoE according to IEEE 802.3at / IEEE802.3bt	Adequate
Transfer Impedance at 1 MHz	≤ 100 mΩ
Transfer Impedance at 10 MHz	≤ 200 mΩ
Transfer Impedance at 80 MHz	≤ 1600 mΩ

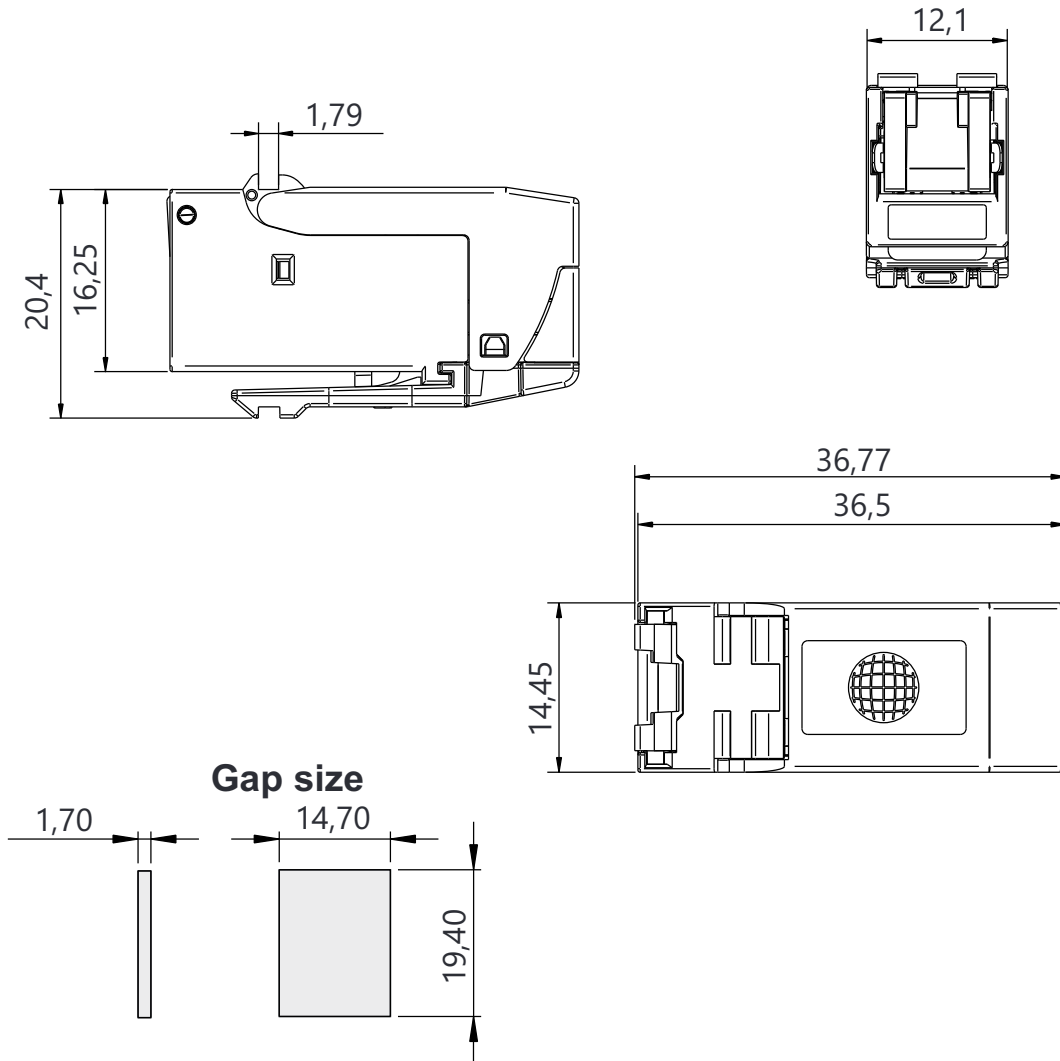
All rights reserved ZVK GmbH D-94244 Teisnach Technologiecampus 2 Germany Phone: +49 9923 804379-0 Fax: +49 9923 804379-50 www.zvk-gmbh.de all data without guarantee


b a	Änderung Neuerstellung	08.02.2023 28.06.2022	LE LE	drawn	28.06.2022	LE	 EasyLan [®] ...for a better connectivity
				appr.	28.06.2022	MJ	
Index	Revision code	Date	Name	Titel: fixLink[®] Pro+ Cat. 8.1 AWG 26 - AWG 22			Dimensions: mm
				Drawing number: ZN-CU220062			Original: DIN A4
							Sheet 2 of 4

Technical Data

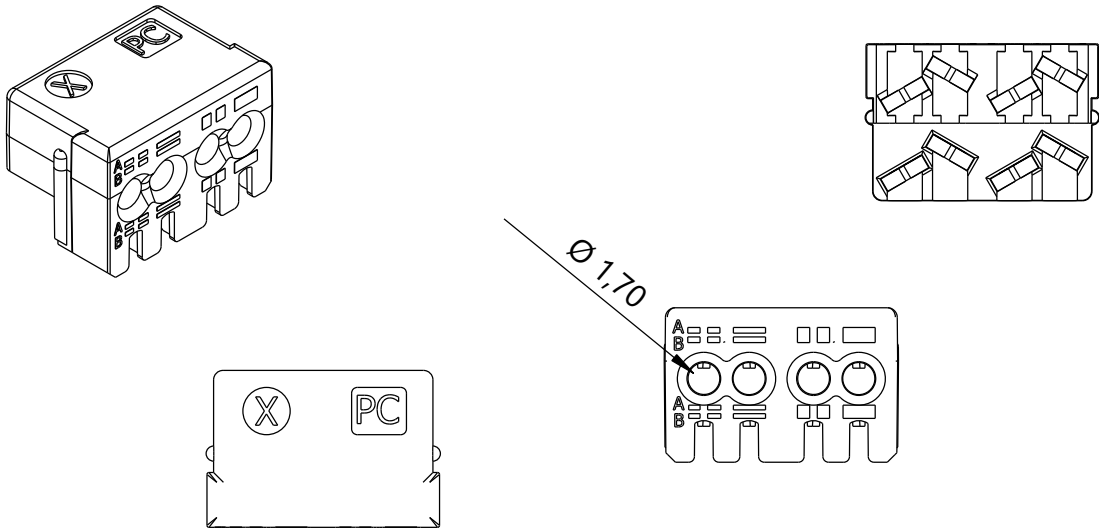
Transmission Performance	
10 Gigabit Ethernet acc. to IEEE 802.3an	Adequate
Class EA	conc. ISO/IEC 11801 Amendment 1/2 typical link length > 2 m, in combination with a CP-cable: CP-Link typ. > 10 m 10 GbE is supported
Class I to 2GHz	conc. ISO/IEC 11801-1 Ed.1.0 (2017-11) - 30m conc. ISO/IEC TR 11801-9909 Ed.1.0 (2020-06) - 50m
Packaging	24 or 1 piece per karton

Drawing



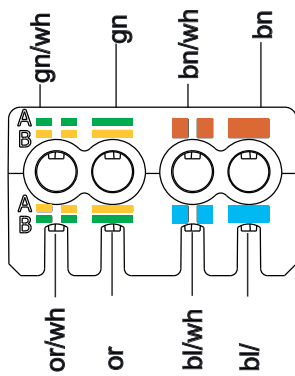
b a	Änderung Neuerstellung	08.02.2023 28.06.2022	LE LE	drawn	28.06.2022	LE	 EasyLan [®] ...for a better connectivity
				appr.	28.06.2022	MJ	
Titel: fixLink[®] Pro+ Cat. 8.1 AWG 26 - AWG 22				Dimensions: mm			
Drawing number: ZN-CU220062				Original: DIN A4			
Index	Revision code	Date	Name				Sheet 3 of 4

Drawing

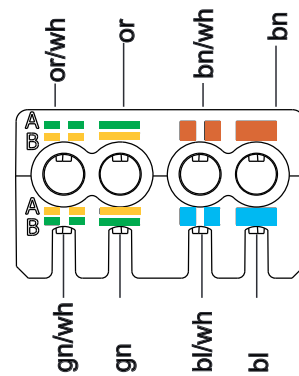


Configuration

Configuration to
TIA/EIA 568 A



Configuration to
TIA/EIA 568 B



b a	Änderung Neuerstellung	08.02.2023 28.06.2022	LE LE	drawn	28.06.2022	LE
				appr.	28.06.2022	MJ
Titel: fixLink® Pro+ Cat. 8.1 AWG 26 - AWG 22						
Drawing number: ZN-CU220062						



Dimensions: mm

Original: DIN A4

Sheet 4 of 4