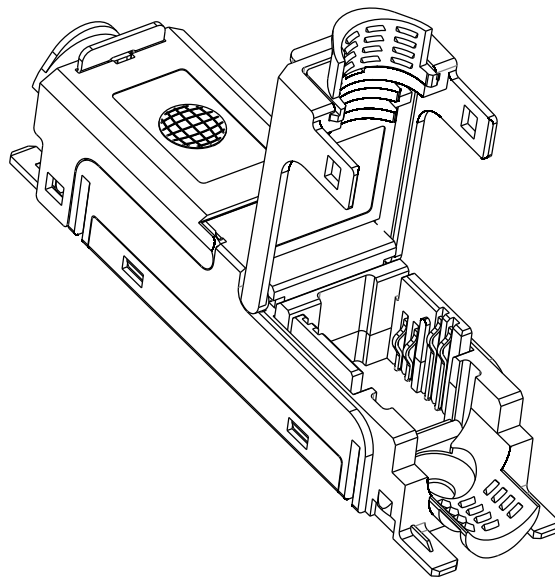



Technical Datasheet

preLink[®] Extender Cat.6_A ISO/IEC AWG 24 - AWG 22

Article No. : CKEA0100




All rights reserved ZVK GmbH D-94244 Teisnach Technologiecampus 2 Germany Phone: +49 9923 804379-0 Fax: +49 9923 804379-50 www.zvk-gmbh.de

c b a	Anpassung Spr. Anpassungen Neuerstellung	15.12.2023 20.07.2015 18.02.2015	TG MJ MJ	drawn	18.02.2015	MJ	 EasyLan [®] ...for a better connectivity			
				appr.	19.02.2015	GF				
				Titel:				preLink [®] Extender cat. 6 _A ISO/IEC AWG 24-22		Dimensions: mm
				Drawing Number:				ZN-CU151017		Original: DIN A4
Rev. Index	Revision code	Date	Name				Sheet 1 of 4			

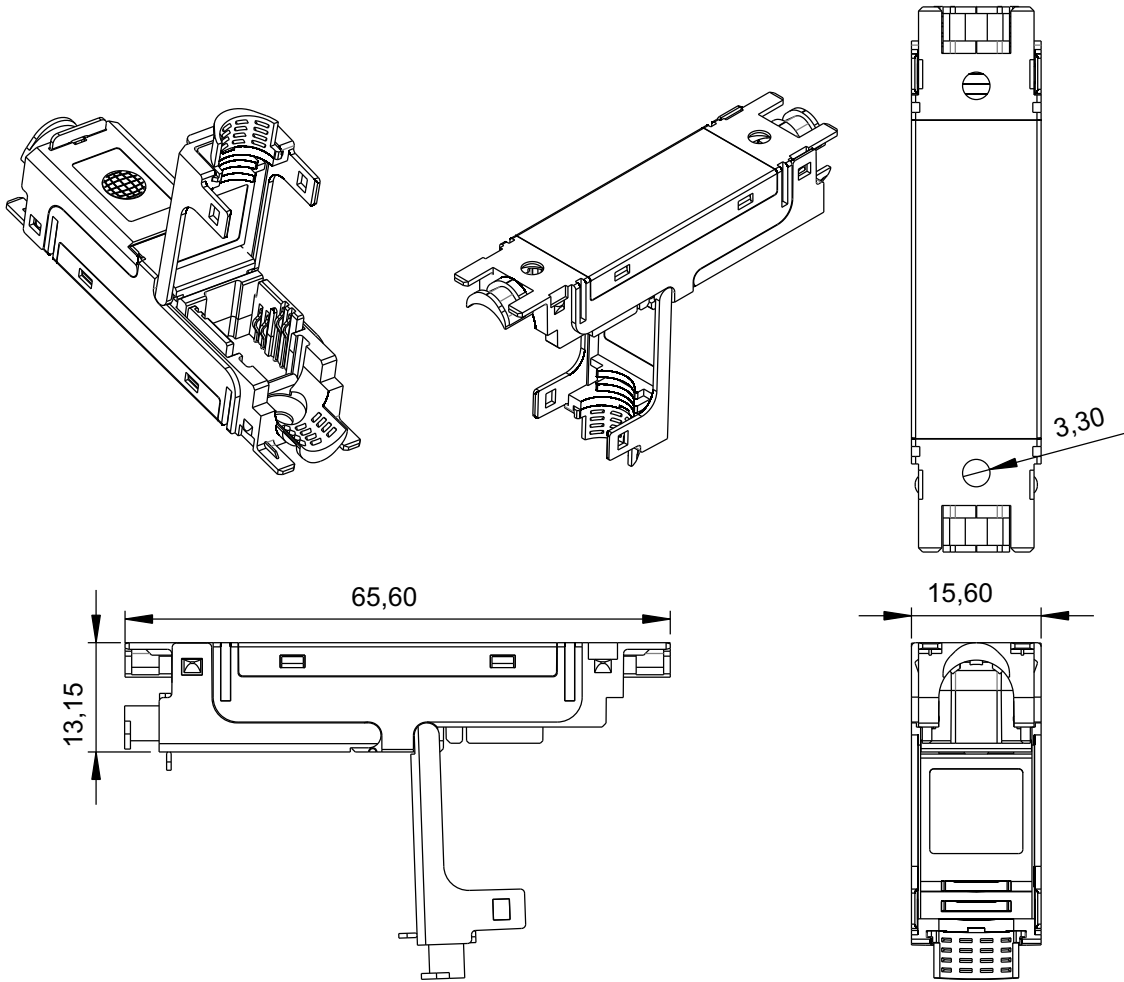
Technical Data

Mechanical Characteristics	
Conductor diameter	massiv / solid 0,51-0,65 mm / AWG 24/1 - AWG 22/1
Insulation diameter	5 - 9 mm
Reusable (Extender)	≥ 100 cycles
Reusable (Connection block)	0 cycles
EC Directive 2002/95/EC (RoHS)	RoHS-compliant
Materials	
Housing	zinc diecast
Strain-relief sliver	zinc diecast
Surface	nickel plating
PCB	FR-4
PCB finish	HAL lead free
Contacts	spring steel
Contact finish	0,762 µm / 30µm Au
Insulation housing	PA light green (RAL 6027)
Connection block	PC yellow clear
IDC	CuSn6
IDC finish	contact area 0,762 µm / 30µm Au
Environmental Requirements	
Particulate ingress	IP2X
Water ingress	IPX0
Ambient temperature	-40°C to +70°C
Electrical Characteristics	
Contact resistance	≤ 20 mΩ
Insulation resistance	≥ 500 MΩ
Voltage proof - contact-contact	≥ 1000 V (DC)
Voltage proof - contact-shield	≥ 1500 V (DC)
Current carrying capacity at 50°C	1,25 A
PoE+ according to IEEE 802.3at	adequate
Transfer Impedance at 1 MHz	≤ 100 mΩ
Transfer Impedance at 10 MHz	≤ 200 mΩ
Transfer Impedance at 80 MHz	≤ 1600 mΩ
Transmission Performance	
10 Gigabit Ethernet acc. to IEEE 802.3an	adequate
Categorie 6 _A	ISO/IEC 11801; DIN EN 50173-1
Class EA	max. lenght of link is 90m

All rights reserved ZVK GmbH D-94244 Teisnach Technologiecampus 2 Germany Phone: +49 9923 804379-0 Fax: +49 9923 804379-50 www.zvk-gmbh.de


c b a	Anpassung Spr. Anpassungen Neuerstellung	15.12.2023 20.07.2015 18.02.2015	TG MJ MJ	drawn	18.02.2015	MJ	
				appr.	19.02.2015	GF	
Rev. Index	Revision code	Date	Name	Titel: preLink® Extender cat. 6 _A ISO/IEC AWG 24-22		Dimensions: mm	
Drawing Number:				ZN-CU151017		Original: DIN A4	
							Sheet 2 of 4

Drawing

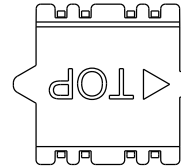
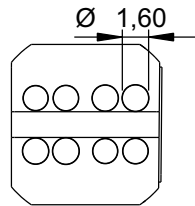
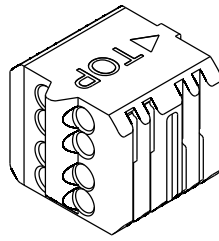


Scale 1:1

All rights reserved ZVK GmbH D-94244 Teisnach Technologiecampus 2 Germany Phone: +49 9923 804379-0 Fax: +49 9923 804379-50 www.zvk-gmbh.de

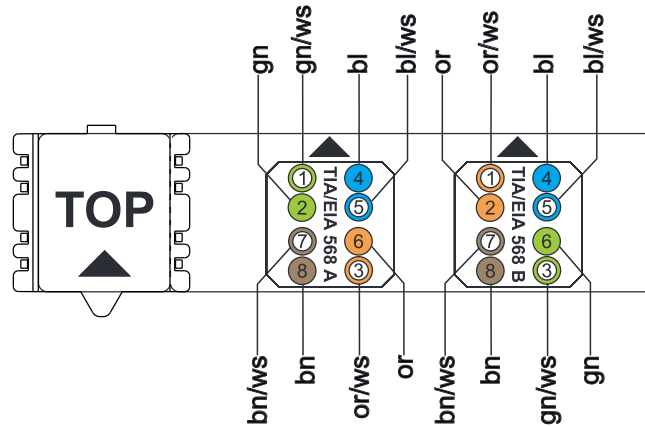
c b a	Anpassung Spr. Anpassungen Neuerstellung	15.12.2023 20.07.2015 18.02.2015	TG MJ MJ	drawn	18.02.2015	MJ	 EasyLan [®] ...for a better connectivity	
				appr.	19.02.2015	GF		
				Titel: preLink[®] Extender cat. 6_A ISO/IEC AWG 24-22				Dimensions: mm
				Drawing Number: ZN-CU151017				Original: DIN A4
Rev. Index	Revision code	Date	Name				Sheet 3 of 4	

Drawing



Scale 2:1

Configuration



c b a	Anpassung Spr. Anpassungen Neuerstellung	15.12.2023 20.07.2015 18.02.2015	TG MJ MJ	drawn	18.02.2015	MJ
				appr.	19.02.2015	GF
Rev. Index	Revision code	Date	Name	Titel: preLink® Extender cat. 6_A ISO/IEC AWG 24-22		
Drawing Number:				Dimensions: mm Original: DIN A4 Sheet 4 of 4		
ZN-CU151017						

